

# APC-9100

Distributore per l'Italia: Contradata Milano S.r.l.

Via Solferino 12 - 20900 Monza (MB) - Italy  
Tel: (+39) 039-230.14.92 Email: info@contradata.it

10.1", Capacitive Touch Screen, Android 10, Ture-Flat Android Panel PC



## Features

- 10.1" LED Backlight LCD and P-cap Multi-Touch Panel
- Front Panel IP65
- Rockchip RK3399, ARM 2xCortex-A72+4xCortex-A53 1.8GHZ
- Panel and Vesa Mounting



## Specifications

### System

CPU	Rockchip RK3399, ARM 2xCortex-A72+4xCortex-A53 1.8GHZ
GPU	Mali-T860 GPU MP4 GPU
Memory	DDR3 4GB
Storage	EMMC 16g/32g
Operating System	Android 10

### Display

Size	10.1-inch
Resolution	1280 X 800
Viewing Angle	85/85/85/85
Color Support	16.7m
Brightness	350 cd/m <sup>2</sup>
Contrast Ratio	800:1
Response Time	2/5 (Typ.)(Tr/Td) ms
Backlight	LED
Backlight Life	25000h

### Touch Screen

Type	Projection Multi Touch Capacitive Touch Screen
Control Interface	USB
Surface Hardness	≥6H
Transmittance	85%

### I/o Connectors

Serial Port	1 X RS-232
USB Port	4 X USB3.0
Ethernet	2 X GbE LAN
GPIO	1 X GPIO (Optional)
Others	1 X DC-in (3-Pin Phoenix) 1 X Remote Switch Connector 1 X ATX Power Switch

### Audio

Audio	1 X Line-out 1 X Line-in
Speaker	2 X Speaker (Optional)

### Wireless

WIFI	2.4GHz/5GHz
M.2	M.2 3042 for 4G ; M.2 3052 for 5G ;

### Power Specification

Power Input	9~36V
Power Adapter	AC-DC, 12V@5A, 60W
Power Consumption	9W ( Typ. )

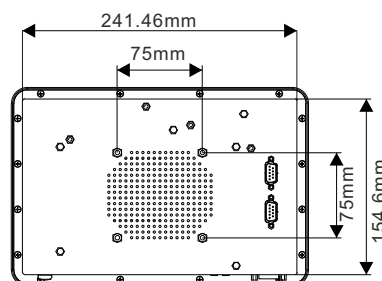
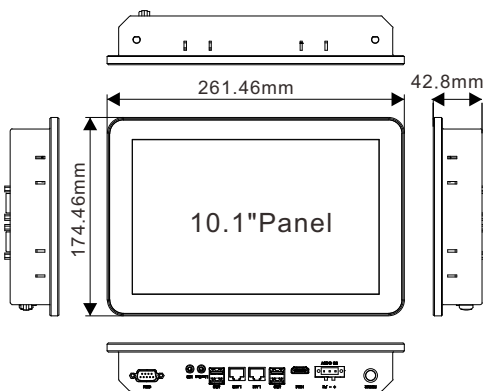
### Environment

Operating Temperature	-10~50°C
Storage Temperature	-20~60°C
Relative Humidity	10%-90%.@ 40°C (non-condensing)
Vibration	5~500hz, 0.026 G <sup>2</sup> /hz, 2.16 Grms, X, Y, Z, 1 Hour Per Axis
Certifications	CE, FCC

### Physical Characteristics

Hoasing	Aluminum Alloy Panel, All-metal Structure
Mounting Mode	Panel-mount, VESA-mount
Dimension (W x L x H)	261.4 X 174.6 X 34 mm
Weight	1.8Kg

## Dimension



A: Power SW	F: LAN2
B: DC-In Input	G: USB
C: HDMI	H: Line-Out
D: USB	I: Mic
E: LAN1	J: COM