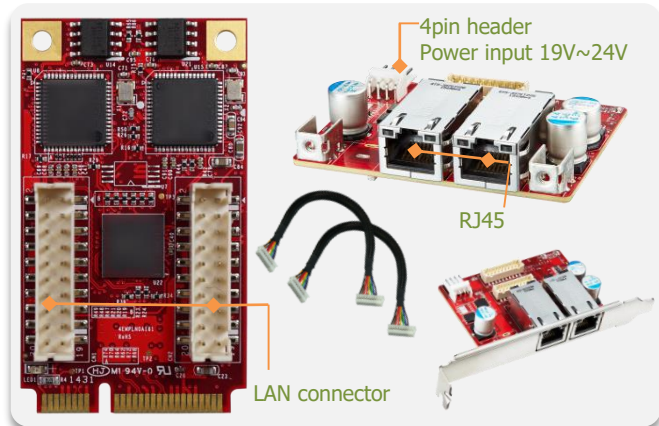


EMPL-G2P2

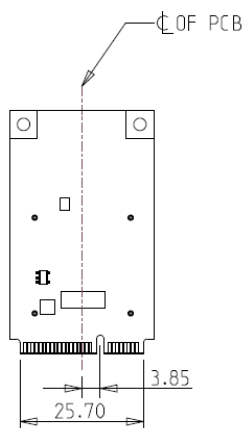
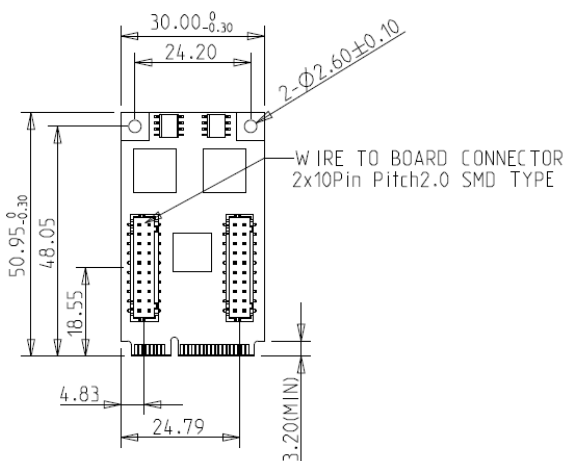
mPCIe to dual Isolated PoE+ Module

Features

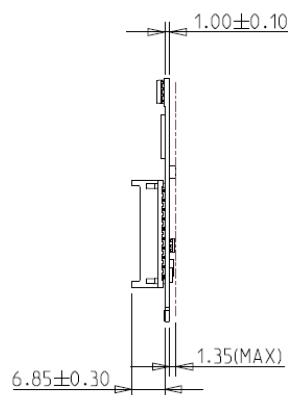
- Supports dual isolated GbE LAN ports
- Two independent PSE channels
- Supports 19V~24V ($\pm 5\%$) power input via 4pin header
- Complies with IEEE 802.3at, up to 25.5W at 52V per PoE port.
- Complies with IEC 60950-1:2005 + A1: 2009 + A2:2013 1.7KV HiPOT protection
- Complies with EN61000-4-2 (ESD) Air-15kV, Contact-8kV
- Industrial temperature -40 °C to 85 °C



Mechanical Drawing



4pin header power input pin define			
1	2	3	4
NC	GND	GND	19V-24V



Specifications

Form-Factor	mPCIe
Input I/F	PCI Express 2.1 x 1
Output I/F	PoE+ x 2
Output Connector	RJ45 x 2
TDP	25.5W x 2 (52V x 0.98A)
Dimension (WxLxH)	Main Board: 30 x 50.9 x 9.2 mm Daughter Board: 72.7 x 58.2 x 23.8 mm
Temperature	Operation: STD: 0°C ~ +70°C. W/T: -40°C ~ +85°C Storage: -55°C ~ +95°C
Environment	Vibration: 5G @7~2000Hz, Shock: 50G @ 0.5ms
Notes	Please download driver from MyInnodisk website. Windows: XP(32bit), 7(32/64bit), 8/8.1(32/64 bit), 10(32/64bit) Linux: kernel 2.4 series, 2.6.x and 3.x version.
Limitations	EMPL-G2P2 series does not recommend used in VMware ESXi due to High Latency

© 2018 Innodisk Corporation.
All right reserved. Specifications are subject to change without prior notice.

October 6, 2020

Order information

mPCIe to dual Isolated PoE+ Module

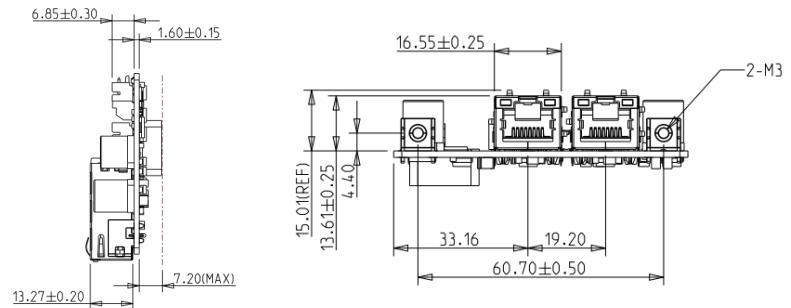
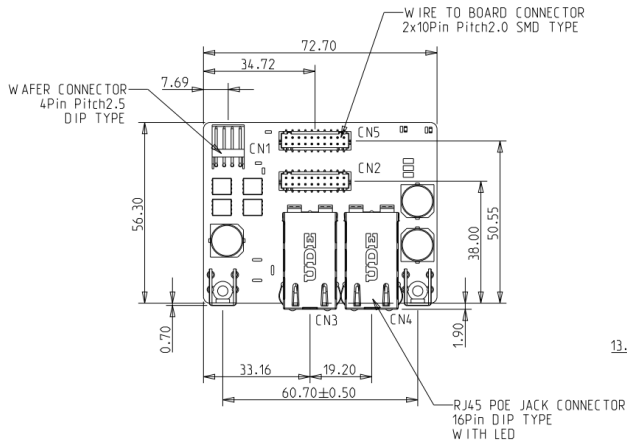
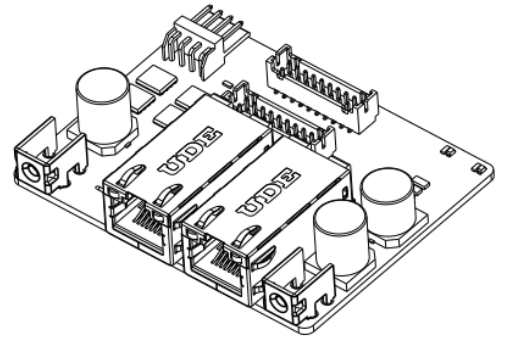
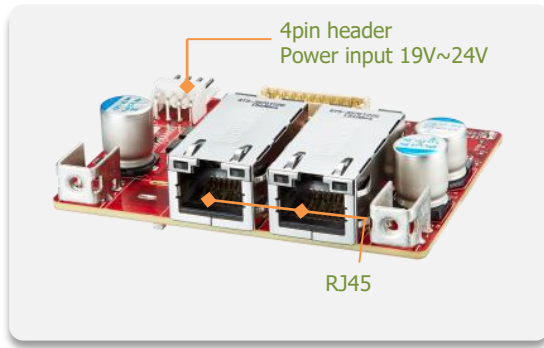
- EMPL-G2P2-C1 (Mounting hole, 4pin header, Standard Temp.)
- EMPL-G2P2-W1 (Mounting hole, 4pin header, Wide Temp.)
- EMPL-G2P2-C2 (Bracket, 4pin header, Standard Temp.)
- EMPL-G2P2-W2 (Bracket, 4pin header, Wide Temp.)

Distributore Autorizzato per l'Italia: Contradata Milano S.r.l.
Via Solferino 12, 20900 Monza (MB) - Italy
Tel: (+39) 039-230.14.92 | Email: info@contradata.it

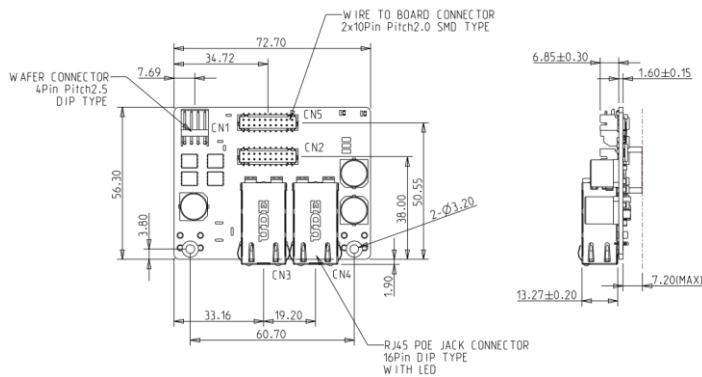
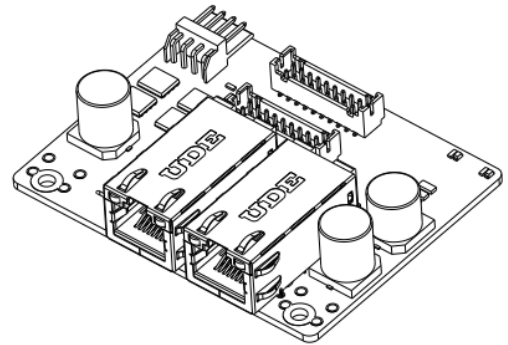
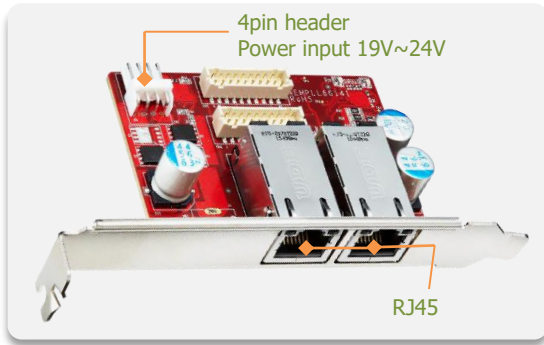


www.contradata.it

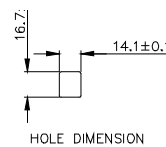
EMPL-G2P2-C1/W1 Daughter Board and Mechanical Drawing



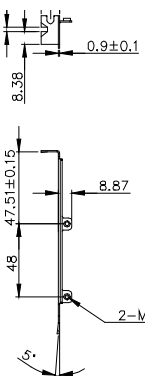
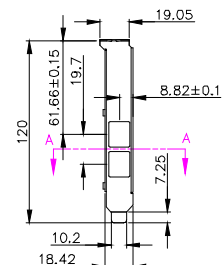
EMPL-G2P2-C2/W2 Daughter Board and Mechanical Drawing



Bracket



SECTION A-A



TOLERANCE: ±0.20mm