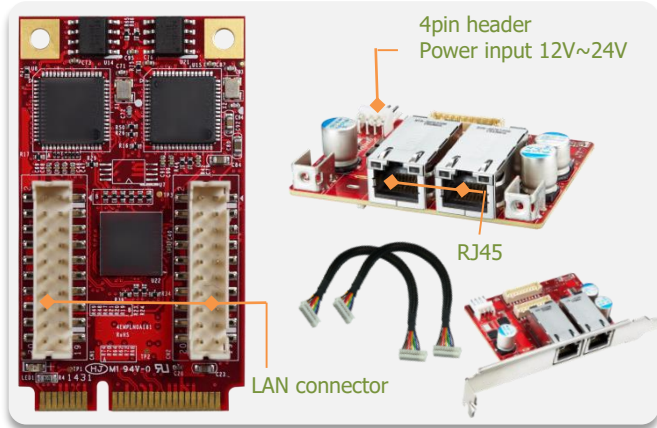


# EMPL-G2P1

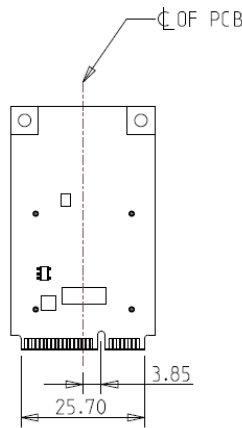
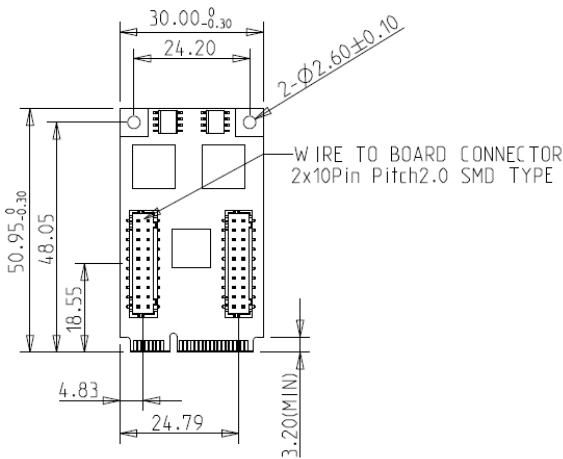
## mPCIe to dual Isolated PoE Module



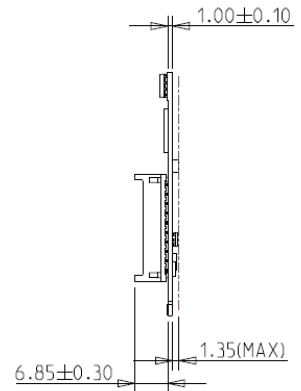
### Features

- Supports dual isolated GbE LAN ports
- Two independent PSE channels
- Supports 12V~24V power input via 4pin header
- Complies with IEEE 802.3af, up to 15.4W at 48V per PoE port.
- Complies with IEC 60950-1:2005 + A1: 2009 + A2:2013 1.7KV HiPOT protection
- Complies with EN61000-4-2 (ESD) Air-15kV, Contact-8kV
- Industrial temperature -40 °C to 85 °C

### Mechanical Drawing



4pin header power input pin define			
1	2	3	4
NC	GND	GND	12V-24V



### Specifications

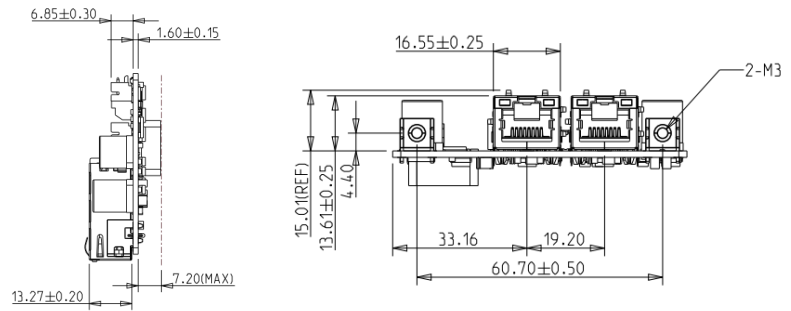
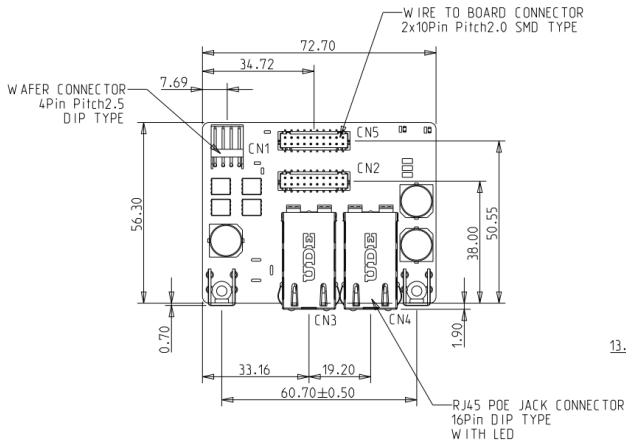
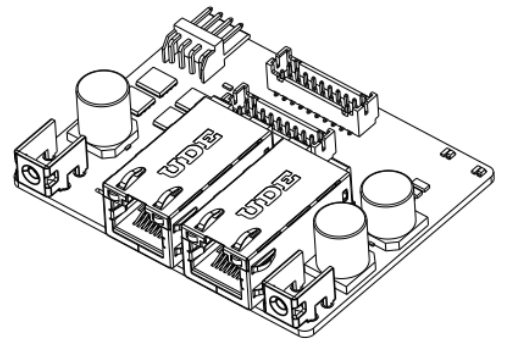
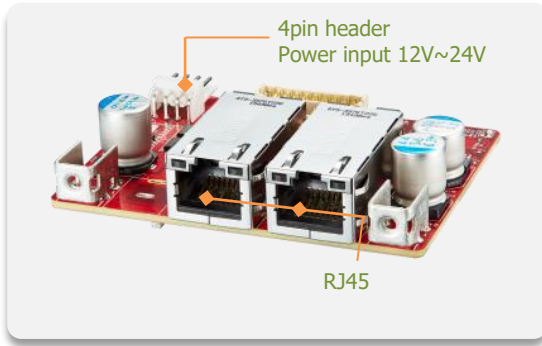
Form-Factor	mPCIe
Input I/F	PCI Express 2.1 x 1
Output I/F	PoE x 2
Output Connector	RJ45 x 2
TDP	30W
Dimension (WxLxH)	Main Board: 30 x 50.9 x 9.2 mm Daughter Board: 72.7 x 58.2 x 23.8 mm
Temperature	Operation: STD: 0°C ~ +70°C. W/T: -40°C ~ +85°C Storage: -55°C ~ +95°C
Environment	Vibration: 5G @7~2000Hz, Shock: 50G @ 0.5ms
Notes	Please download driver from MyInnodisk website. Windows: XP(32bit), 7(32/64bit), 8/8.1(32/64 bit), 10(32/64bit) Linux: kernel 2.4 series, 2.6.x and 3.x version.
Limitations	EMPL-G2P1 series does not recommend used in VMware ESXi due to High Latency

### Order information

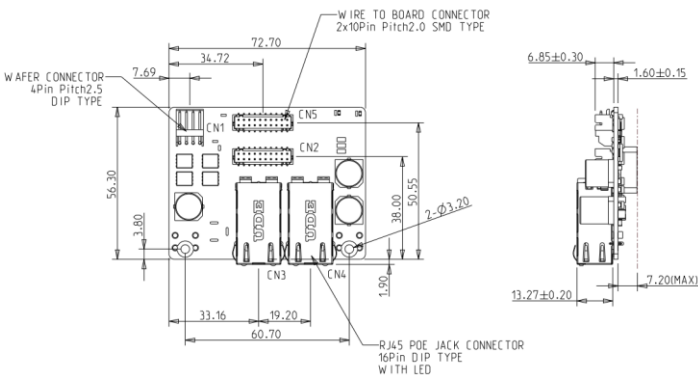
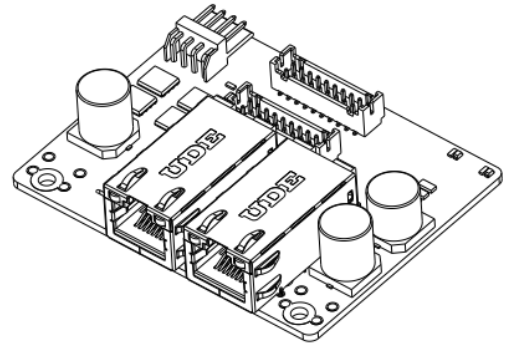
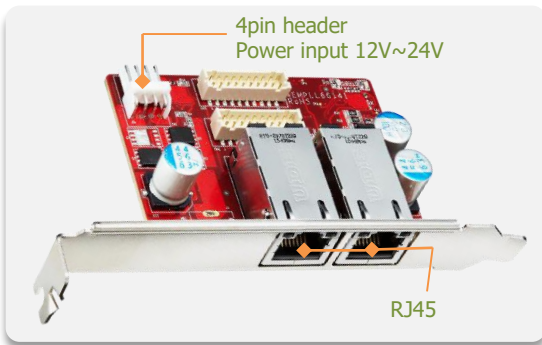
mPCIe to dual Isolated PoE Module

**EMPL-G2P1-C1**  
(Mounting hole, 4pin header, Standard Temp.)  
**EMPL-G2P1-W1**  
(Mounting hole, 4pin header, Wide Temp.)  
**EMPL-G2P1-C2** (Bracket, 4pin header, Standard Temp.)  
**EMPL-G2P1-W2** (Bracket, 4pin header, Wide Temp.)

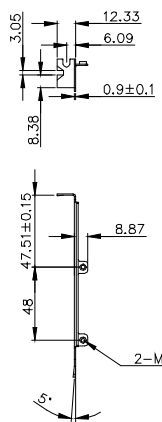
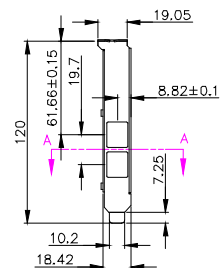
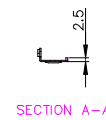
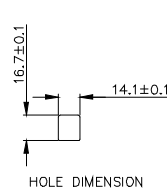
# EMPL-G2P1-C1/W1 Daughter Board and Mechanical Drawing



# EMPL-G2P1-C2/W2 Daughter Board and Mechanical Drawing



## Bracket



TOLERANCE: ±0.20mm