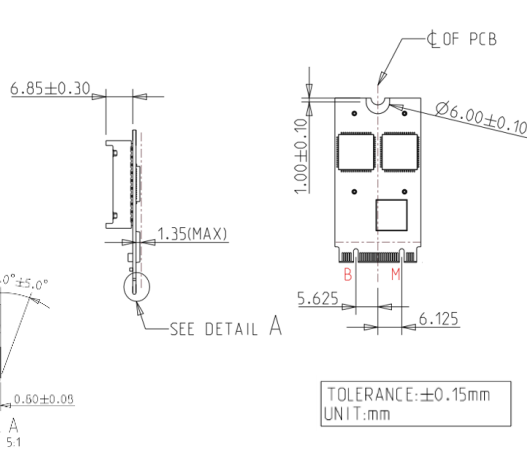
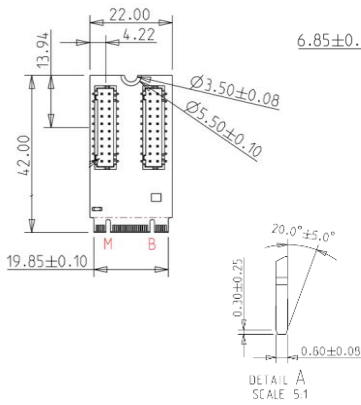


Features

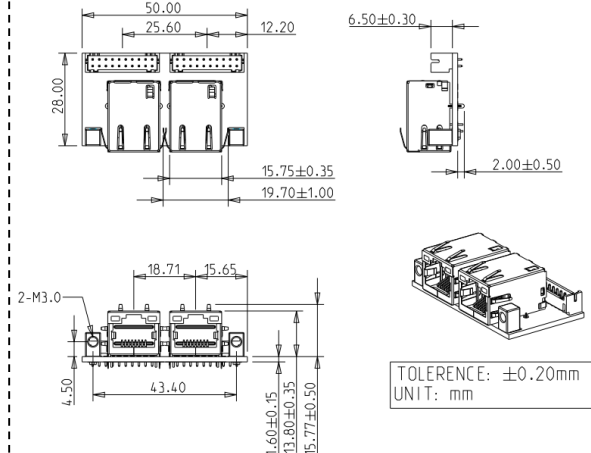
- Dual isolated GbE LAN ports
- Complies with EN61000-4-5 2kV surge protection
- Complies with IEC 60950-1:2005 + A1: 2009 + A2:2013 2kV HiPOT protection
- Complies with EN61000-4-2 (ESD) Air-15kV, Contact-8kV
- Flexible daughter board with cable to fit into different system
- Industrial temperature -40 °C to 85 °C
- 30μ" golden finger, 3-year warranty
- Industrial design, manufactured in Innodisk Taiwan

Mechanical Drawing

Main Board



Daughter Board



Specifications

| | |
|-------------------|--|
| Form-Factor | M.2 2242 B-M |
| Input I/F | PCI Express 2.1 x 1 |
| Output I/F | Dual GbE LAN |
| Output Connector | RJ45 x 2 |
| TDP | 2.9W (3.3V x 883mA) |
| Dimension (WxLxH) | Main board: 22 x 42 x 9.01 mm Daughter board: 50 x 28 x 19.37mm |
| Temperature | Operation: STD: 0°C ~ +70°C. W/T: -40°C ~ +85°C Storage: -55°C ~ +95°C |
| Environment | Vibration: 5G @7~2000Hz, Shock: 50G @ 0.5ms |
| Notes | Please download driver from MyInnodisk website. Windows: XP(32bit), 7(32/64bit), 8/8.1(32/64 bit), 10(32/64bit) Linux: kernel 2.4 series, 2.6.x and 3.x version. |
| Limitations | EGPL-G202 series does not recommend used in VMware ESXi due to High Latency |

© 2017 Innodisk Corporation. All right reserved. Specifications are subject to change without prior notice.

December 3, 2020

Order information

M.2 to dual isolated GbE LAN module

EGPL-G202-C1 (Terminal mounting hole, Standard Temp.)

EGPL-G202-W1 (Terminal mounting hole, Wide Temp.)

Distributore Autorizzato per l'Italia:

Contradata Milano S.r.l.

Via Solferino 12, 20900 Monza (MB) - Italy

Tel: (+39) 039-230.14.92 | Email: info@contradata.it

