

Datasheet

USB DRIVE 3SE series

- High performance with USB 3.0 interface
- Low power consumption
- Wear-Leveling supported
- ECC engine coverage up to 60-bit/1024 Bytes
- Metal housing for robust usage
- 30 μ golden finger for highly reliable data transfer quality



Introduction

The Innodisk USB Drive products provide high capacity USB flash memory storage that electrically complies with High-speed USB 3.0 interface & backward compatible with USB 2.0. The device features attractive small form factor and the connectivity over USB 3.0 and the NAND flash architecture provide a faster data transmission.

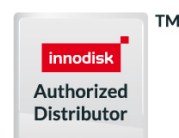
innodisk

Distributore Autorizzato per l'Italia:

Contradata Milano S.r.l.

Via Solferino 12, 20900 Monza (MB) - Italy

Tel: (+39) 039-230.14.92 | Email: info@contradata.it



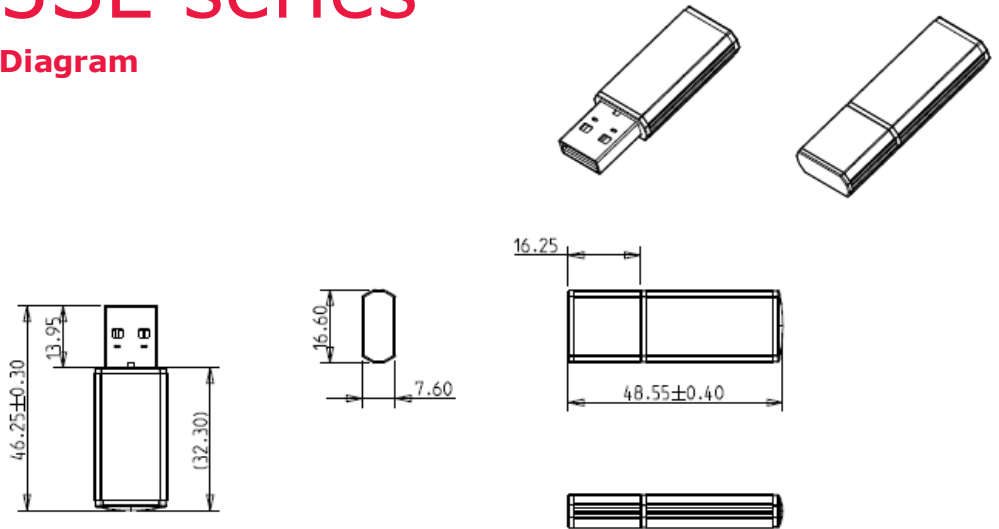
www.contradata.it

USB DRIVE 3SE series

Contact us for more information about the USB DRIVE 3SE.

Innodisk is a service-driven provider of industrial embedded flash storage products and technologies, with a focus on the cloud computing, industrial/embedded, and aerospace and defense industries.

Diagram



Specifications

Interface	USB 3.0
Flash Type	SLC
Capacity	4GB~32GB
Max. Channels	1
Sequential R/W (MB/sec, max.)	100 / 85
Max. Power Consumption	0.70 W (5V x 140 mA)
Thermal Sensor	-
External DRAM buffer	-
H/W Write Protect	-
ATA Security	-
S.M.A.R.T.	-
Dimension (WxLxH)	16.5 X 48.3 X 7.6 mm
Environment	Vibration: 20G @ 7~2000Hz Shock: 1500G @ 0.5ms Storage Temperature: -40°C ~ +85°C MTBF: 3 million hours

© 2021 Innodisk Corporation.
All right reserved. Specifications are subject to change without prior notice.

20211005

Ordering Information

Operation Temp.	4GB	8GB	16GB	32GB
Standard Grade (0°C ~ +70°C)	DEUA1-04GI61*C**SB	DEUA1-08GI61*C**SB	DEUA1-16GI61*C**SB	DEUA1-32GI61SCASB
Industrial Grade (-40°C ~ +85°C)	DEUA1-04GI61*W**SB	DEUA1-08GI61*W**SB	DEUA1-16GI61*W**SB	DEUA1-32GI61SWASB

*. S/A = Flash mode

** . A = BGA / 1=TSOP



Distributore Autorizzato per l'Italia:

Contradata Milano S.r.l.

Via Solferino 12, 20900 Monza (MB) - Italy

Tel: (+39) 039-230.14.92 | Email: info@contradata.it



www.contradata.it