



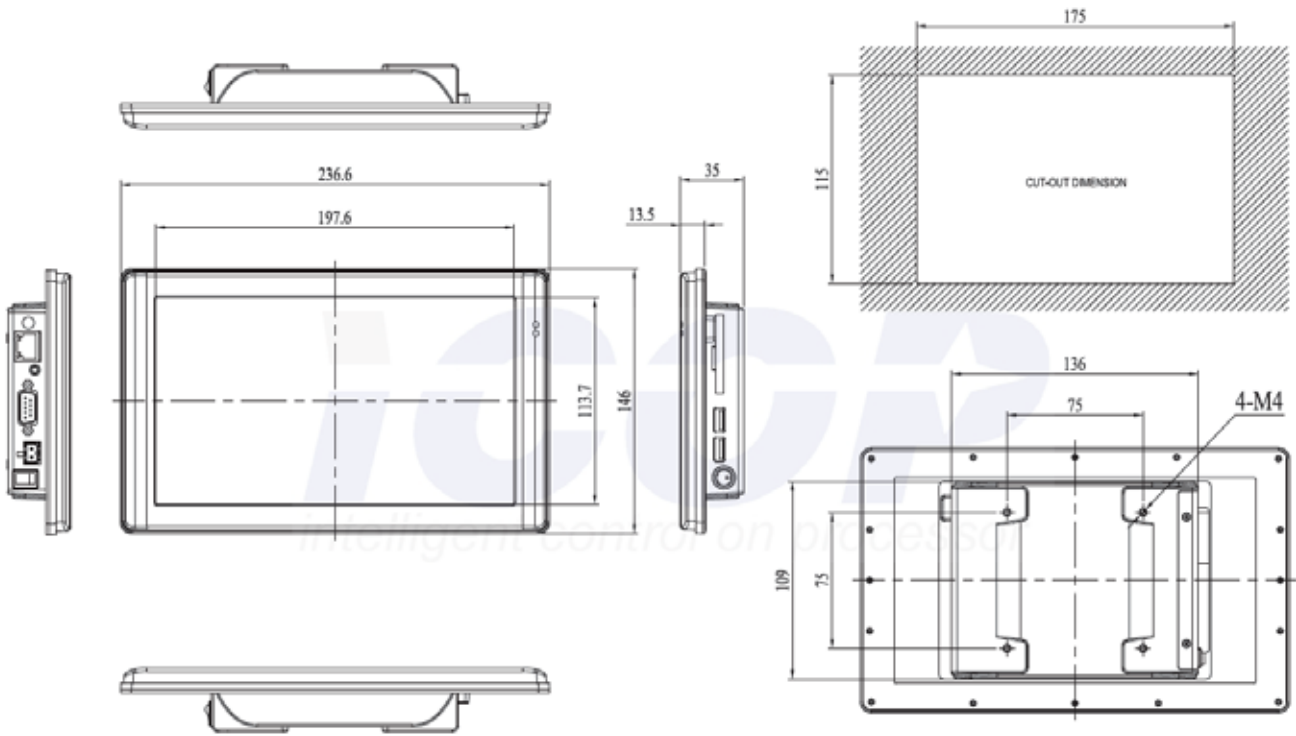
## Specifications

|                           |  |                       |
|---------------------------|--|-----------------------|
| Type                      | WSVGA TFT-LCD  |                       |
| Size                      | 9"   |                       |
| LCD Display               | Resolution (Pixel)   | 1024 x 600            |
|                           | Brightness   | 300 cd/m <sup>2</sup> |
| Touch Screen Type         | Analog Resistive   |                       |
| Processor                 | NXP i.MX8M Mini, Quad-core 1.6GHz ARM Cortex-A53 processor                 |                       |
| System RAM                | 1GB / 2GB / 4GB LPDDR4 Memory onboard                                      |                       |
| Internal Drives           | 8GB / 16GB / 32GB / 64GB eMMC onboard & Micro SD Slot                      |                       |
| Expansion                 | MiniPCIe Slot with Micro SIM Card Holder                                   |                       |
| Wireless Support          | WLAN & Bluetooth (Optional)  |                       |
| Ethernet                  | Integrated 10/100/1000Mbps Ethernet  |                       |
| Audio                     | WM8960 Stereo, Line-out  |                       |
| Serial Ports              | RS232/485 x1 (COM1)  |                       |
| USB Ports                 | USB2.0 x2  |                       |
| Power Requirement         | Single Voltage +5VDC (Version: 5A) / Multi-Voltage +8~+35VDC (Version: 8A) |                       |
| Operating Temperature     | 0°C to +60°C / -20°C to +70°C (Optional)                                   |                       |
| Storage Temperature       | -30 +80° C   |                       |
| Operating Humidity        | 0% ~ 90% Relative Humidity, Non-Condensing                                 |                       |
| Dimensions (W x H x D) mm | 236.6 x 146 x 35   |                       |
| OS Support                | Yocto Linux, Android (under development)                                   |                       |
| Certificate (Coming Soon) | CE, FCC, VCCI, NOM, TUV, KCC, BIS, Shock, Vibration, IP65 (Front Panel)    |                       |

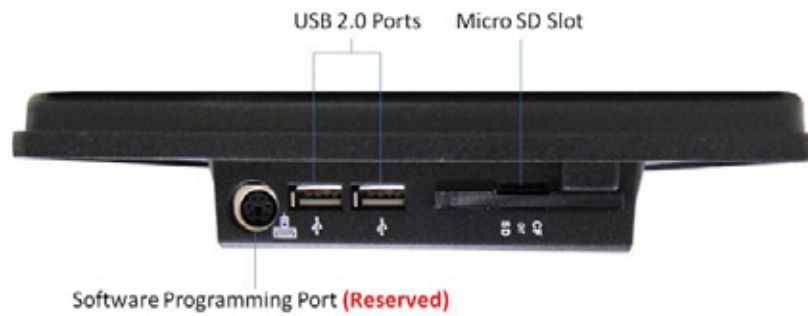
## Ordering Information

| Part Number       | Description  |
|-------------------|--|
| PN8M-090T-8A-B5GM | PN8M-090T with i.MX8M Mini (Quad Core 1.6GHz), 2GB of LPDDR4, 16GB eMMC MLC, Wifi&BT and DC+8~35V          |
| PN8M-090T-8A-N5GM | PN8M-090T with i.MX8M Mini (Quad Core 1.6GHz), 2GB of LPDDR4, 16GB eMMC MLC and DC+8~35V.                  |
| PN8M-090T-8A-B5GS | PN8M-090T with i.MX8M Mini (Quad Core 1.6GHz), 2GB of LPDDR4, 16GB eMMC <b>SLC</b> , Wifi&BT and DC+8~35V. |
| PN8M-090T-8A-N5GS | PN8M-090T with i.MX8M Mini (Quad Core 1.6GHz), 2GB of LPDDR4, 16GB eMMC <b>SLC</b> , DC+8~35V.             |
| PN8M-090T-8A-B4FM | PN8M-090T with i.MX8M Mini (Quad Core 1.6GHz), 1GB of LPDDR4, 8GB eMMC MLC, Wifi&BT and DC+8~35V.          |
| PN8M-090T-8A-N4FM | PN8M-090T with i.MX8M Mini (Quad Core 1.6GHz), 1GB of LPDDR4, 8GB eMMC MLC, DC+8~35V.                      |
| PN8M-090T-5A-B5GM | PN8M-090T with i.MX8M Mini (Quad Core 1.6GHz), 2GB of LPDDR4, 16GB eMMC MLC, Wifi&BT and DC+5V.            |
| PN8M-090T-5A-N5GM | PN8M-090T with i.MX8M Mini (Quad Core 1.6GHz), 2GB of LPDDR4, 16GB eMMC MLC and DC+5V.                     |
| PN8M-090T-5A-B5GS | PN8M-090T with i.MX8M Mini (Quad Core 1.6GHz), 2GB of LPDDR4, 16GB eMMC <b>SLC</b> , Wifi&BT and DC+5V.    |
| PN8M-090T-5A-N5GS | PN8M-090T with i.MX8M Mini (Quad Core 1.6GHz), 2GB of LPDDR4, 16GB eMMC <b>SLC</b> and DC+5V.              |

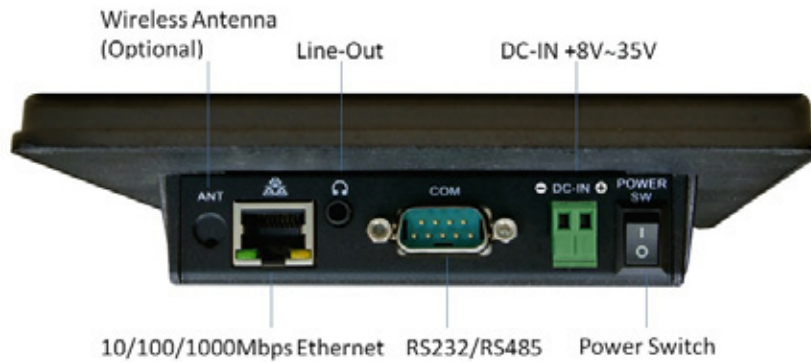
## Dimensions



## Overview



## PN8M-090T-8A



## PN8M-090T-5A

