

# User's Manual

Sunlight Readable Touch Monitor



Industrial Touch Monitor  
Sunlight Readable Series  
**CS-100/M1000 Series**

# Contents

## Preface

Revision .....	03
Copyright Notice .....	03
Acknowledgement .....	03
Disclaimer .....	03
Declaration of Conformity .....	03
Product Warranty Statement .....	04
Technical Support and Assistance .....	05
Conventions Used in this Manual .....	05
Safety Precaution .....	06
Package Contents .....	07
Optional Accessories .....	07
Ordering Information .....	08

## Chapter 1 Product Introductions

1.1 Overview .....	10
1.2 Highlights.....	11
1.3 Hardware Specification .....	12
1.3.1 CS-108C/M1001 .....	12
1.3.2 CS-110HC/M1001 & CS-110HC-OB/M1001 .....	14
1.3.3 CS-112HC/M1001 & CS-112HC-OB/M1001 .....	16
1.3.4 CS-115C/M1001 & CS-115C-OB/M1001 .....	18
1.3.5 CS-117C/M1001 & CS-117C-OB/M1001 .....	20
1.3.6 CS-119C/M1001 & CS-119C-OB/M1001 .....	22
1.4 System I/O .....	24
1.4.1 Front .....	24
1.4.2 Rear .....	24
1.4.3 Side (Left) .....	25
1.4.4 Side (Right) .....	25
1.4.5 Top .....	26

## Chapter 2 OSD Operation

2.1 Function Description of OSD .....	28
---------------------------------------	----

## Chapter 3 System Setup

3.1 Connecting with CS Display Module .....	30
3.2 VESA Mount .....	32
3.3 Panel Mount .....	33

# Preface

## Revision

Revision	Description	Date
1.00	Manual Released	2018/03/06
1.10	CS-108C Product Info and Mechanical Dimensions Added	2019/02/15

## Copyright Notice

© 2018 by Cincoze Co., Ltd. All rights are reserved. No parts of this manual may be copied, modified, or reproduced in any form or by any means for commercial use without the prior written permission of Cincoze Co., Ltd. All information and specification provided in this manual are for reference only remaining subject to change without prior notice.

## Acknowledgement

Cincoze is a registered trademark of Cincoze Co., Ltd. All registered trademarks and product names mentioned herein are used for identification purposes only and may be trademarks and/or registered trademarks of their respective owners.

## Disclaimer

This manual is designed to be used as a practical and informative guide only and is subject to change without notice. It does not represent a commitment on the part of Cincoze. This product might include unintentional technical or typographical errors. Changes are periodically made to the information herein to correct such errors, and these changes are incorporated into new editions of the publication.

## Declaration of Conformity



### FCC

This equipment has been tested and found to comply with the limits for a Class A digital device, pursuant to Part 15 of the FCC Rules. These limits are designed to provide reasonable protection against harmful interference when the equipment is operated in a commercial environment. This equipment generates, uses, and can radiate radio frequency energy and, if not installed and used in accordance with the instruction manual, may cause harmful interference to radio communications. Operation of this equipment in a residential area is likely to cause harmful interference in which case the user will be required to correct the interference at his own expense.



### CE

The product(s) described in this manual complies with all application European Union (CE) directives if it has a CE marking. For computer systems to remain CE compliant, only CE-compliant parts may be used. Maintaining CE compliance also requires proper cable and cabling techniques.

# Product Warranty Statement

## Warranty

Cincoze products are warranted by Cincoze Co., Ltd. to be free from defect in materials and workmanship starting from the date of purchase by the original purchaser. The actual warranty period of Cincoze products vary with product categories. During the warranty period, we shall, at our option, either repair or replace any product that proves to be defective under normal operation.

Defects, malfunctions, or failures of the warranted product caused by damage resulting from natural disasters (such as by lightening, flood, earthquake, etc.), environmental and atmospheric disturbances, other external forces such as power line disturbances, plugging the board in under power, or incorrect cabling, and damage caused by misuse, abuse, and unauthorized alteration or repair, and the product in question is either software, or an expendable item (such as a fuse, battery, etc.), are not warranted.

### Product Warranty Period:

Product Category	Warranty Period
Monitor Module	2 Years
Display Module	1 Year

## RMA

Before sending your product in, you will need to fill in Cincoze RMA Request Form and obtain a RMA number from us. Our staff is available at any time to provide you with the most friendly and immediate service.

### ■ RMA Instruction

- Customers must fill in Cincoze Return Merchandise Authorization (RMA) Request Form and obtain a RMA number prior to returning a defective product to Cincoze for service.
- Customers must collect all the information about the problems encountered and note anything abnormal and describe the problems on the "Cincoze Service Form" for the RMA number apply process.
- Charges may be incurred for certain repairs. Cincoze will charge for repairs to products whose warranty period has expired. Cincoze will also charge for repairs to products if the damage resulted from acts of God, environmental or atmospheric disturbances, or other external forces through misuse, abuse, or unauthorized alteration or repair. If charges will be incurred for a repair, Cincoze lists all charges, and will wait for customer's approval before performing the repair.
- Customers agree to insure the product or assume the risk of loss or damage during transit, to prepay shipping charges, and to use the original shipping container or equivalent.
- Customers can be send back the faulty products with or without accessories (manuals, cable, etc.) and any components from the system. If the components were suspected as part of the problems, please note clearly which components are included. Otherwise, Cincoze is not responsible for the devices/parts.
- Repaired items will be shipped along with a "Repair Report" detailing the findings and actions taken.

## Limitation of Liability

Cincoze' liability arising out of the manufacture, sale, or supplying of the product and its use, whether based on warranty, contract, negligence, product liability, or otherwise, shall not exceed the original selling price of the product. The remedies provided herein are the customer's sole and exclusive remedies. In no event shall Cincoze be liable for direct, indirect, special or consequential damages whether based on contract of any other legal theory.

## Technical Support and Assistance

1. Visit the Cincoze website at [www.cincoze.com/support.php](http://www.cincoze.com/support.php) where you can find the latest information about the product.
2. Contact your distributor or our technical support team or sales representative for technical support if you need additional assistance. Please have following information ready before you call:
  - Product name and serial number
  - Description of your peripheral attachments
  - Description of your software (operating system, version, application software, etc.)
  - A complete description of the problem
  - The exact wording of any error messages

## Conventions Used in this Manual



### WARNING

This indication alerts operators to an operation that, if not strictly observed, may result in severe injury.



### CAUTION

This indication alerts operators to an operation that, if not strictly observed, may result in safety hazards to personnel or damage to equipment.



### NOTE

This indication provides additional information to complete a task easily.

## Safety Precautions

Before installing and using this device, please note the following precautions:

1. Read these safety instructions carefully.
2. Keep this User's Manual for future reference.
3. Disconnect this equipment from any AC outlet before cleaning.
4. For plug-in equipment, the power outlet socket must be located near the equipment and must be easily accessible.
5. Keep this equipment away from humidity.
6. Put this equipment on a reliable surface during installation. Dropping it or letting it fall may cause damage.
7. Make sure the voltage of the power source is correct before connecting the equipment to the power outlet.
8. Use a power cord that has been approved for using with the product and that it matches the voltage and current marked on the product's electrical range label. The voltage and current rating of the cord must be greater than the voltage and current rating marked on the product.
9. Position the power cord so that people cannot step on it. Do not place anything over the power cord.
10. All cautions and warnings on the equipment should be noted.
11. If the equipment is not used for a long time, disconnect it from the power source to avoid damage by transient overvoltage.
12. Never pour any liquid into an opening. This may cause fire or electrical shock.
13. Never open the equipment. For safety reasons, the equipment should be opened only by qualified service personnel.

If one of the following situations arises, get the equipment checked by service personnel:

- The power cord or plug is damaged.
  - Liquid has penetrated into the equipment.
  - The equipment has been exposed to moisture.
  - The equipment does not work well, or you cannot get it to work according to the user's manual.
  - The equipment has been dropped and damaged.
  - The equipment has obvious signs of breakage.
14. **CAUTION:** Danger of explosion if battery is incorrectly replaced. Replace only with the same or equivalent type recommended by the manufacturer.

## Package Contents

Before installation, please ensure all the items listed in the following table are included in the package.

Item	Description	Q'ty
1	Touch Monitor	1
2	Panel Mounting Kit	1
3	Utility DVD Driver	1
4	Power Terminal Block Connector	1
5	USB Cable	1
6	VGA Cable	1
7	Screw Pack	1

Note: Notify your sales representative if any of the above items are missing or damaged.

## Optional Accessories

Model No.	Description
GST60A12-CIN	Adapter AC/DC 12V 5A 60W with 3pin Terminal Block Plug 5.0mm Pitch, with TUBES, Level VI
DVI-D Cable	DVI-D male to DVI-D male Cable 1.8M
SL2-SL3	US 2 heads power cord, US B type to IEC C13, SVT 18AWG/3C Black 1.8M SL-2+SL-3
SL6-SL3	EU 2 heads power cord, EU G type to IEC C13, H05VV-F 0.75mm <sup>2</sup> /3G Black 1.8M SL-6+SL-3
QP026-SL3	UK 2 heads power cord, UK I type to IEC C13, H05VV-F 0.75mm <sup>2</sup> /3G Black 1.8M QP026+SL-3
URM01	Universal 19" Rack Mount Kit for Industrial Panel PC & Industrial Monitor

## Ordering Information

<b>Model No.</b>	<b>Product Description</b>
CS-108C-R10/M1001-R12	8.4" TFT-LCD 1600 nits Sunlight Readable Touch Monitor with P-Cap. Touch
CS-110HC-R10/M1001-R12	10.4" TFT-LCD 1500 nits Sunlight Readable Touch Monitor with P-Cap. Touch
CS-110HC-OB-R10/M1001-R12	10.4" TFT-LCD 1500 nits Sunlight Readable Touch Monitor with P-Cap. Touch and Optical Bonding
CS-112HC-R10/M1001-R12	12.1" TFT-LCD 1500 nits Sunlight Readable Touch Monitor with P-Cap. Touch
CS-112HC-OB-R10/M1001-R12	12.1" TFT-LCD 1500 nits Sunlight Readable Touch Monitor with P-Cap. Touch and Optical Bonding
CS-115C-R10/M1001-R12	15" TFT-LCD 1600 nits Sunlight Readable Touch Monitor with P-Cap. Touch
CS-115C-OB-R10/M1001-R12	15" TFT-LCD 1600 nits Sunlight Readable Touch Monitor with P-Cap. Touch and Optical Bonding
CS-117C-R10/M1001-R12	17" TFT-LCD 1500 nits Sunlight Readable Touch Monitor with P-Cap. Touch
CS-117C-OB-R10/M1001-R12	17" TFT-LCD 1500 nits Sunlight Readable Touch Monitor with P-Cap. Touch and Optical Bonding
CS-119C-R10/M1001-R12	19" TFT-LCD 1600 nits Sunlight Readable Touch Monitor with P-Cap. Touch
CS-119C-OB-R10/M1001-R12	19" TFT-LCD 1600 nits Sunlight Readable Touch Monitor with P-Cap. Touch and Optical Bonding





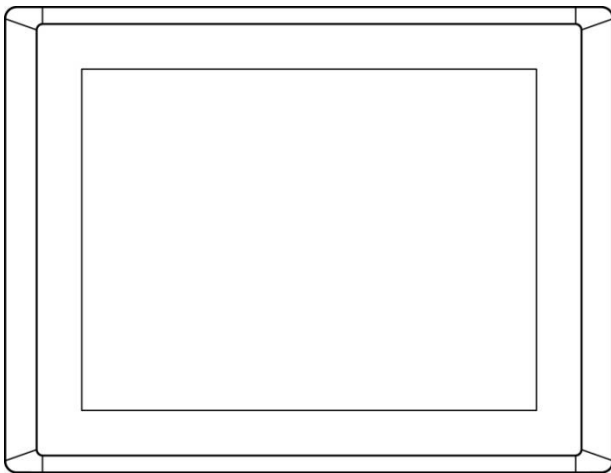
## **Chapter 1**

# Product Introductions

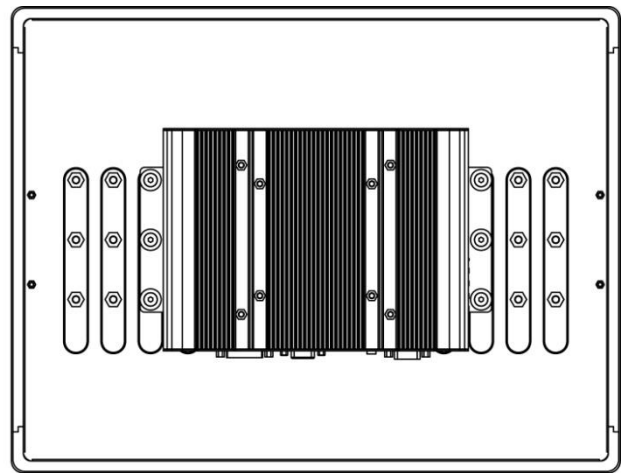
## 1.1 Overview

The CS-100/M1001 Series is a sunlight readable touch monitor offering ultra-high brightness and high resolution. It supports both digital and analog signal input via three types of display interface, including VGA, DVI-D and DisplayPort. CS-100/M1001 Series supports Convertible Display System (CDS) technology which allows you to configure, upgrade and maintain your display system according to your need. In addition, it has OSD function for adjusting the viewing options of display.

Featuring wide range operating temperature ( $-5^{\circ}\text{C}$  to  $60^{\circ}\text{C}$ ), IP65 dust/water proof front panel and wide range DC power input (9 to 48VDC), CS-100/M1001 Series is a rugged and reliable display solution for outdoor applications, such as heavy-duty lifting & moving equipment, e-toll collection system, car-sharing system and outdoor kiosk.



Front



Rear



## 1.2 Highlights

### Sunlight Readable

Providing ultra high brightness and high resolution, CS-100/M1001 Series is suitable for all lighting conditions including direct sunlight.

### Wide Temperature

CS-100/M1001 Series supports wide range operating temperature from -5°C to 60°C and is suitable for deploying in extreme and harsh environments.

### Multiple Video Input

CS-100/M1001 Series supports high resolution and offers both digital and analog signal input interfaces including VGA, DVI-D & DisplayPort.

## 1.3 Hardware Specification

### 1.3.1 CS-108C/M1001

#### Key Features

- 8.4" TFT-LCD with Ultra High Brightness up to 1,600 nits and 800 x 600 (SVGA) Resolution
- Signal Input: VGA, DVI-D and DisplayPort
- Wide Range Operating Temperature -5°C to 60°C
- Designed with Aluminum Die-casting Front Frame
- True Flat IP65 Front Panel Protection
- Supports Panel / VESA / \*Rack Mounting (\*with optional mounting kit)
- Wide Range Power Input 9~48VDC
- Convertible Display System (CDS) Technology Supported

#### Hardware Specification

##### Display

- LCD Size: 8.4" (4:3)
- Max. Resolution: 800 x 600
- Brightness (cd/m2): 1600
- Contrast Ratio: 600 : 1
- LCD Color: 16.2M
- Pixel Pitch (mm): 0.213 (H) x 0.213 (V)
- Viewing Angle (H-V): 160 / 140
- Backlight MTBF: 50000 hrs (LED Backlight)

##### Touch

- Projected Capacitive Touch for CS-108C/M1001

##### I/O Ports

- 1x VGA
- 1x DVI-D
- 1x DisplayPort
- 1x Audio Input
- 1x USB 2.0 (for Projected Capacitive Touch)
- 1x COM Port (Resistive Touch Only)

##### Physical

- Dimension (WxHxD): 262 x 186.2 x 66 mm
- Weight: 2.70 kg
- Construction Front Panel: Die-cast Flat Surface
- Mounting: Panel / VESA / \*Rack Mounting (\*with optional mounting kit)

##### Other Features

- Audio: AMP 5W + 5W (Internal Speaker)
- OSD Function: LCD On/Off, Auto, Menu, Up and Down
- Multi-language OSD Function

##### Power

- 1x 3-pin Terminal Block Connector with Power Input 9~48VDC
- 1x Optional Power Adapter AC/DC 12V/5A, 60W

##### Environment

- Operating Temperature: Ambient with Air Flow: -5°C to 60°C (with Industrial Grade Peripherals)
- Storage Temperature: -20°C to 70°C
- Relative humidity: 60% RH @ 40°C (Non-Condensing)
- Shock: Operating, 15 Grms, Half-sine 11 ms Duration (w/ SSD, according to IEC60068-2-27)
- Vibration: Operating, 1.5 Grms, 5-500 Hz, 3 Axes (w/ SSD, according to IEC60068-2-64)
- IP Level: IP 65 Compliant Front Panel

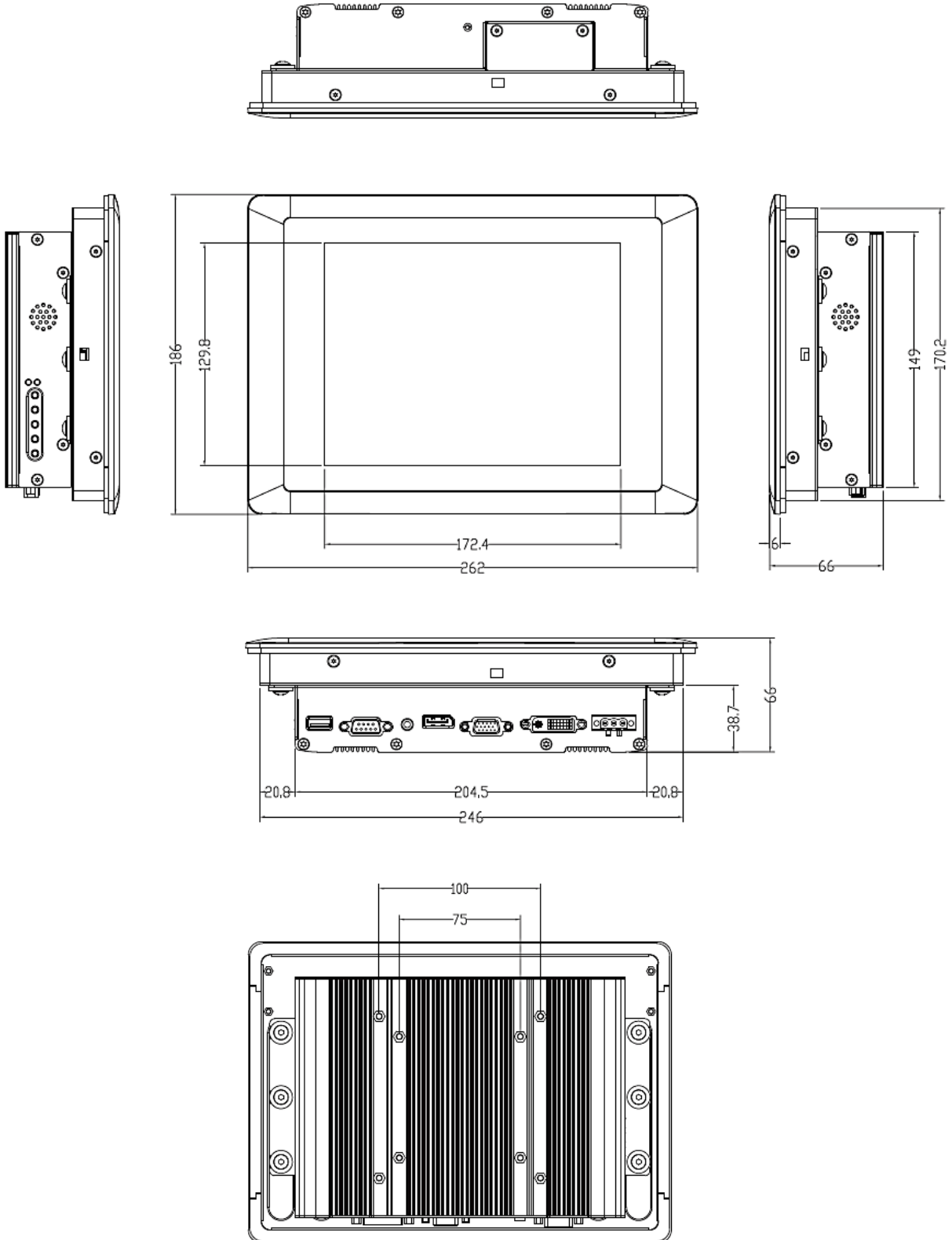
##### Certification

- CE
- FCC Class A

## Dimension

**CS-108C/M1001**

Unit: mm



## 1.3.2 CS-110HC/M1001 & CS-110HC-OB/M1001

### Key Features

- 10.4" TFT LCD with Ultra High Brightness up to 1,500nits and 1024 x 768 (XGA) Resolution
- Signal Input: VGA, DVI-D and DisplayPort
- Wide Range Operating Temperature -5°C to 60°C
- Designed with Aluminum Die-casting Front Frame
- True Flat IP65 Front Panel Protection
- Supports Panel / VESA / \*Rack Mounting (\*with optional mounting kit)
- Wide Range Power Input 9~48VDC
- Convertible Display System (CDS) Technology Supported
- Supports Optical Bonding (Optional)

### Hardware Specification

#### Display

- LCD Size: 10.4" (4:3)
- Max. Resolution: 1024 x 768
- Brightness (cd/m2): 1500
- Contrast Ratio: 1400 : 1
- LCD Color: 16.2M
- Pixel Pitch (mm): 0.264 (H) x 0.264 (V)
- Viewing Angle (H-V): 178 / 178
- Backlight MTBF: 50000 hrs (LED Backlight)

#### Touch

- Projected Capacitive Touch for CS-110C/M1001

#### I/O Ports

- 1x VGA
- 1x DVI-D
- 1x DisplayPort
- 1x Audio Input
- 1x USB 2.0
- 1x COM Port (Resistive Touch Only)

(USB & COM Port are reserved for the connection to enable touch usage only)

#### Physical

- Dimension (WxHxD): 295 x 227.3 x 66 mm
- Weight: 3.36 kg
- Construction Front Panel: Die-cast Flat Surface
- Mounting: Panel / VESA / \*Rack Mounting (\*with optional mounting kit)

#### Other Features

- Audio: AMP 5W + 5W (Internal Speaker)
- OSD Function: LCD On/Off, Auto, Menu, Up and Down
- Multi-language OSD Function

#### Power

- 1x 3-pin Terminal Block Connector with Power Input 9~48VDC
- 1x Optional Power Adapter AC/DC 12V/5A, 60W

#### Environment

- Operating Temperature: Ambient with Air Flow: -5°C to 60°C (with Industrial Grade Peripherals)
- Storage Temperature: -20°C to 70°C
- Shock: Operating, 15 Grms, Half-sine 11 ms Duration (w/ SSD, according to IEC60068-2-27)
- Vibration: Operating, 1.5 Grms, 5-500 Hz, 3 Axes (w/ SSD, according to IEC60068-2-64)
- Relative humidity: 90% RH @ 40°C (Non-Condensing)
- IP Level: IP 65 Compliant Front Panel

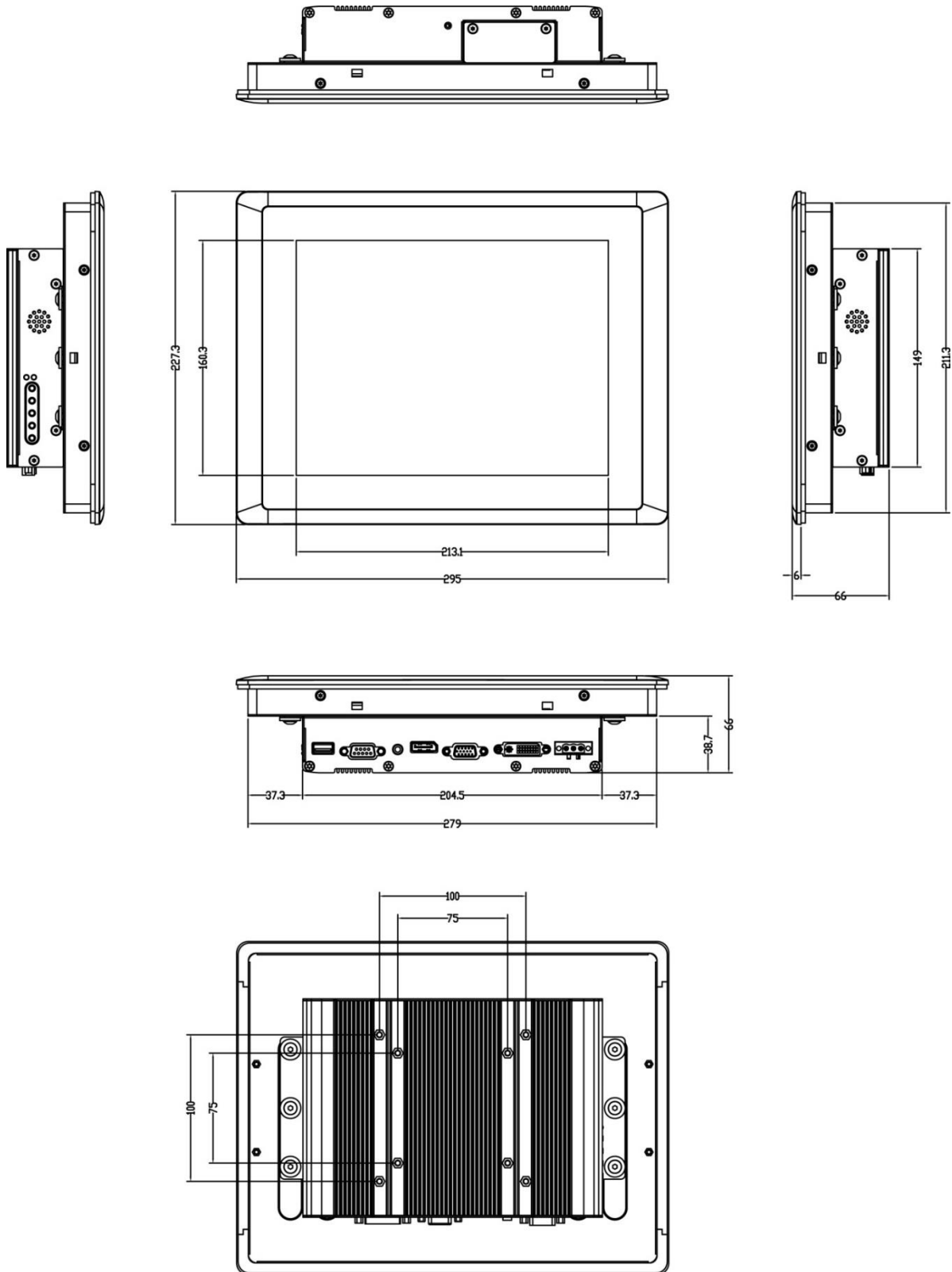
#### Certification

- CE
- FCC Class A

### Dimension

#### CS-110HC/M1001 & CS-110HC-OB/M1001

Unit: mm



### 1.3.3 CS-112HC/M1001 & CS-112HC-OB/M1001

#### Key Features

- 12.1" TFT LCD with Ultra High Brightness up to 1,500nits and 1024 x 768 (XGA) Resolution
- Signal Input: VGA, DVI-D and DisplayPort
- Wide Range Operating Temperature -5°C to 60°C
- Designed with Aluminum Die-casting Front Frame
- True Flat IP65 Front Panel Protection
- Supports Panel / VESA / \*Rack Mounting (\*with optional mounting kit)
- Wide Range Power Input 9~48VDC
- Convertible Display System (CDS) Technology Supported
- Supports Optical Bonding (Optional)

#### Hardware Specification

##### Display

- LCD Size: 12.1" (4:3)
- Max. Resolution: 1024x 768
- Brightness (cd/m<sup>2</sup>): 1500
- Contrast Ratio: 700 : 1
- LCD Color: 16.2M
- Pixel Pitch (mm): 0.24 (H) x 0.24 (V)
- Viewing Angle (H-V): 160 / 160
- Backlight MTBF: 30000 hrs (LED Backlight)

##### Touch

- Projected Capacitive Touch for CS-112HC/M1001

##### I/O Ports

- 1x VGA
- 1x DVI-D
- 1x DisplayPort
- 1x Audio Input
- 1x USB 2.0
- 1x COM Port (Resistive Touch Only)

(USB & COM Port are reserved for the connection to enable touch usage only)

##### Physical

- Dimension (WxHxD): 345 x 265.3 x 66.5 mm
- Weight: 4.28 kg
- Construction Front Panel: Die-cast Flat Surface
- Mounting: Panel / VESA / \*Rack Mounting (\*with optional mounting kit)

##### Other Features

- Audio: AMP 5W + 5W (Internal Speaker)
- OSD Function: LCD On/Off, Auto, Menu, Up and Down
- Multi-language OSD Function

##### Power

- 1x 3-pin Terminal Block Connector with Power Input 9~48VDC
- 1x Optional Power Adapter AC/DC 12V/5A, 60W

##### Environment

- Operating Temperature: Ambient with Air Flow: -5°C to 60°C (with Industrial Grade Peripherals)
- Storage Temperature: -20°C to 70°C
- Shock: Operating, 15 Grms, Half-sine 11 ms Duration (w/ SSD, according to IEC60068-2-27)
- Vibration: Operating, 1.5 Grms, 5-500 Hz, 3 Axes (w/ SSD, according to IEC60068-2-64)
- Relative Humidity: 90% RH @ 40°C (Non-Condensing)
- IP Level: IP 65 Compliant Front Panel

##### Certification

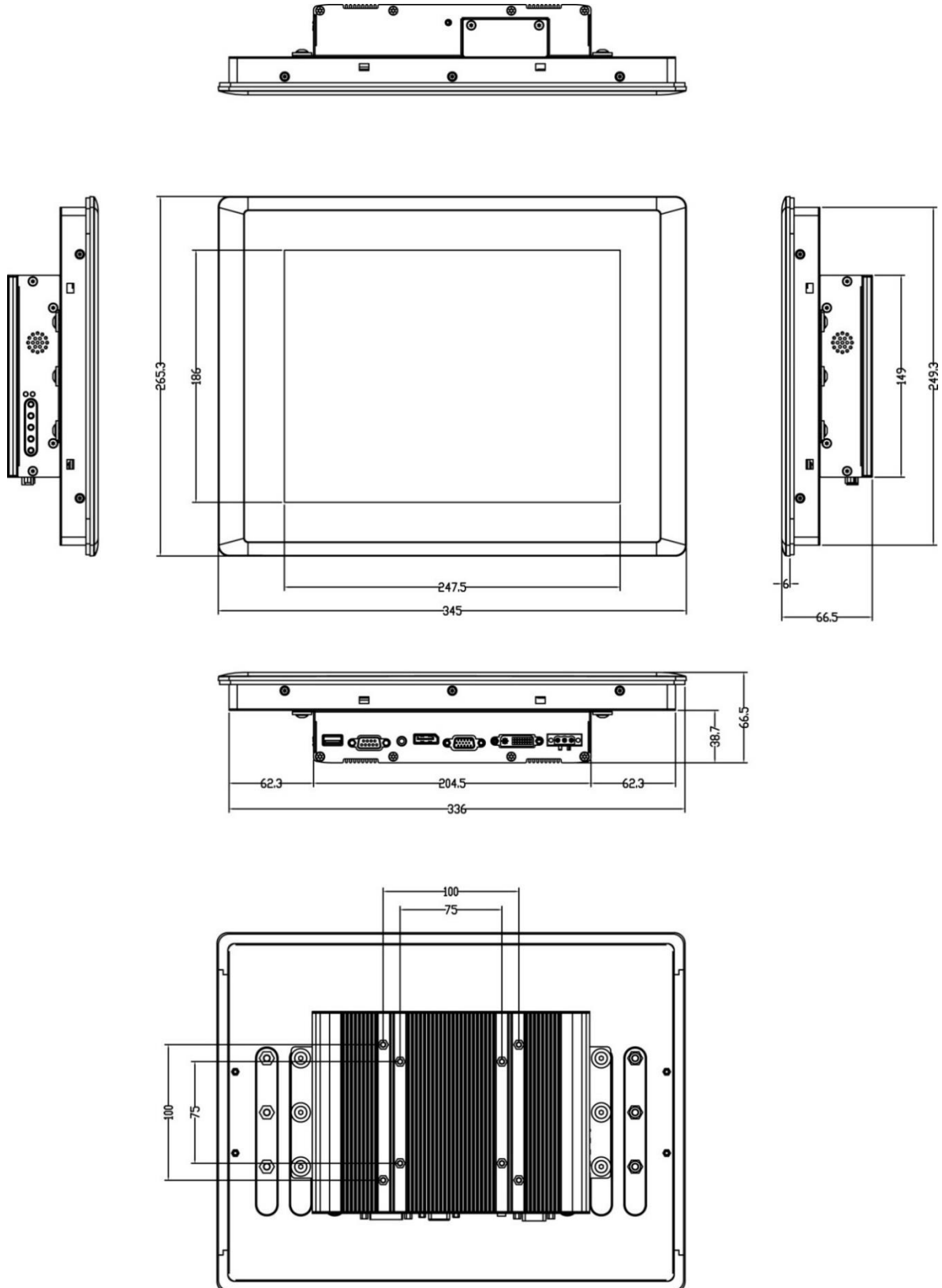
- CE
- FCC Class A



Dimension

CS-112HC/M1001 & CS-112HC-OB/M1001

Unit: mm



### 1.3.4 CS-115C/M1001 & CS-115C-OB/M1001

#### Key Features

- 15" TFT LCD with Ultra High Brightness up to 1,600nits and 1024 x 768 (XGA) Resolution
- Signal Input: VGA, DVI-D and DisplayPort
- Wide Range Operating Temperature -5°C to 60°C
- Designed with Aluminum Die-casting Front Frame
- True Flat IP65 Front Panel Protection
- Supports Panel / VESA / \*Rack Mounting (\*with optional mounting kit)
- Wide Range Power Input 9~48VDC
- Convertible Display System (CDS) Technology Supported
- Supports Optical Bonding (Optional)

#### Hardware Specification

##### Display

- LCD Size: 15" (4:3)
- Max. Resolution: 1024 x 768
- Brightness (cd/m2): 1600
- Contrast Ratio: 800 : 1
- LCD Color: 16.2M
- Pixel Pitch (mm): 0.297 (H) x 0.297 (V)
- Viewing Angle (H-V): 160 / 160
- Backlight MTBF: 50000 hrs (LED Backlight)

##### Touch

- Projected Capacitive Touch for CS-115C/M1001

##### I/O Ports

- 1x VGA
- 1x DVI-D
- 1x DisplayPort
- 1x Audio Input
- 1x USB 2.0
- 1x COM Port (Resistive Touch Only)

(USB & COM Port are reserved for the connection to enable touch usage only)

##### Physical

- Dimension (WxHxD): 408 x 312.4 x 69 mm
- Weight: 5.48 kg
- Construction Front Panel: Die-cast Flat Surface
- Mounting: Panel / VESA / \*Rack Mounting (\*with optional mounting kit)

##### Other Features

- Audio: AMP 5W + 5W (Internal Speaker)
- OSD Function: LCD On/Off, Auto, Menu, Up and Down
- Multi-language OSD Function

##### Power

- 1x 3-pin Terminal Block Connector with Power Input 9~48VDC
- 1x Optional Power Adapter AC/DC 12V/5A, 60W

##### Environment

- Operating Temperature: Ambient with Air Flow: -5°C to 60°C (with Industrial Grade Peripherals)
- Storage Temperature: -20°C to 70°C
- Shock: Operating, 15 Grms, Half-sine 11 ms Duration (w/ SSD, according to IEC60068-2-27)
- Vibration: Operating, 1.5 Grms, 5-500 Hz, 3 Axes (w/ SSD, according to IEC60068-2-64)
- Relative humidity: 90% RH @ 40°C (Non-Condensing)
- IP Level: IP 65 Compliant Front Panel

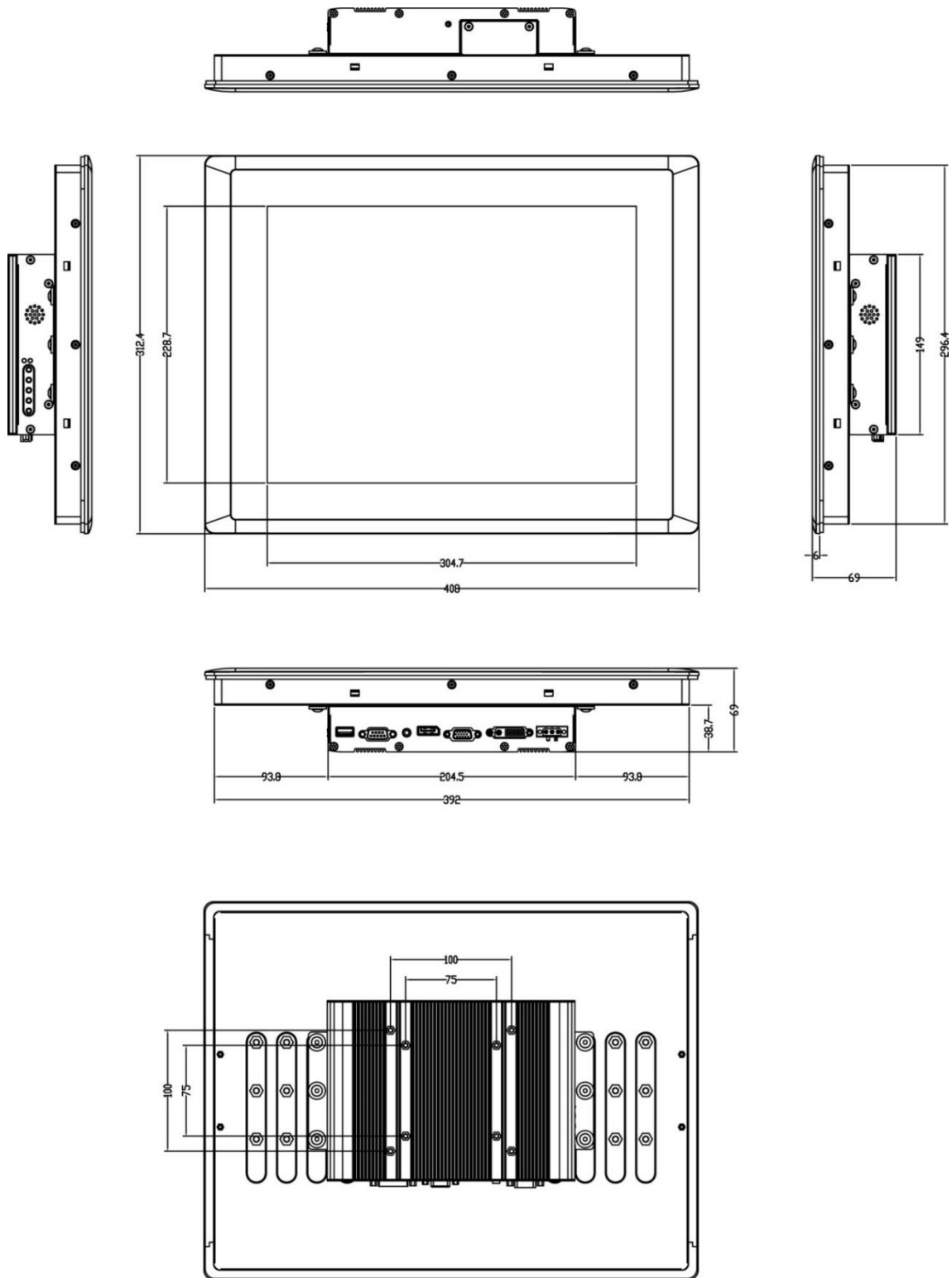
##### Certification

- CE
- FCC Class A

### Dimension

#### CS-115C/M1001 & CS-115C-OB/M1001

Unit: mm



## 1.3.5 CS-117C/M1001 & CS-117C-OB/M1001

### Key Features

- 17" TFT LCD with Ultra High Brightness up to 1,500nits and 1280 x 1024 (SXGA) Resolution
- Signal Input: VGA, DVI-D and DisplayPort
- Wide Range Operating Temperature -5°C to 60°C
- Designed with Aluminum Die-casting Front Frame
- True Flat IP65 Front Panel Protection
- Supports Panel / VESA / \*Rack Mounting (\*with optional mounting kit)
- Wide Range Power Input 9~48VDC
- Convertible Display System (CDS) Technology Supported
- Supports Optical Bonding (Optional)

### Hardware Specification

#### Display

- LCD Size: 17" (5:4)
- Max. Resolution: 1280 x 1024
- Brightness (cd/m2): 1500
- Contrast Ratio: 800 : 1
- LCD Color: 16.7M
- Pixel Pitch (mm): 0.264 (H) x 0.264 (V)
- Viewing Angle (H-V): 160 / 140
- Backlight MTBF: 50000 hrs (LED Backlight)

#### Touch

- Projected Capacitive Touch for CS-117C/M1001

#### I/O Ports

- 1x VGA
- 1x DVI-D
- 1x DisplayPort
- 1x Audio Input
- 1x USB 2.0
- 1x COM Port (Resistive Touch Only)

(USB & COM Port are reserved for the connection to enable touch usage only)

#### Physical

- Dimension (WxHxD): 450 x 350 x 73 mm
- Weight: 6.76 kg
- Construction Front Panel: Die-cast Flat Surface
- Mounting: Panel / VESA / \*Rack Mounting (\*with optional mounting kit)

#### Other Features

- Audio: AMP 5W + 5W (Internal Speaker)
- OSD Function: LCD On/Off, Auto, Menu, Up and Down
- Multi-language OSD Function

#### Power

- 1x 3-pin Terminal Block Connector with Power Input 9~48VDC
- 1x Optional Power Adapter AC/DC 12V/5A, 60W

#### Environment

- Operating Temperature: Ambient with Air Flow: -5°C to 60°C (with Industrial Grade Peripherals)
- Storage Temperature: -20°C to 70°C
- Shock: Operating, 15 Grms, Half-sine 11 ms Duration (w/ SSD, according to IEC60068-2-27)
- Vibration: Operating, 1.5 Grms, 5-500 Hz, 3 Axes (w/ SSD, according to IEC60068-2-64)
- Relative humidity: 90% RH @ 40°C (Non-Condensing)
- IP Level: IP 65 Compliant Front Panel

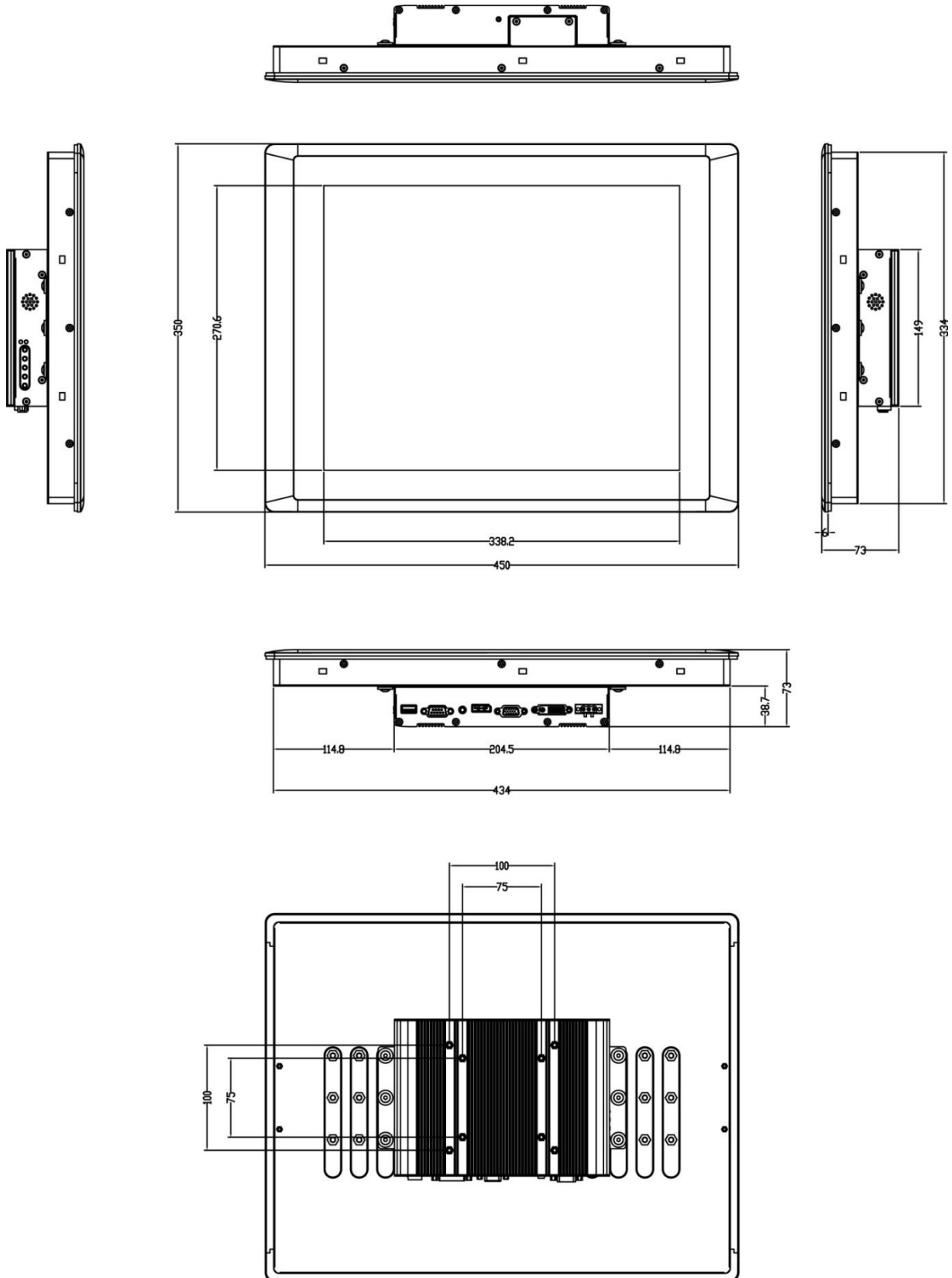
#### Certification

- CE
- FCC Class A

Dimension

CS-117C/M1001 & CS-117C-OB/M1001

Unit: mm



## 1.3.6 CS-119C/M1001 & CS-119C-OB/M1001

### Key Features

- 19" TFT LCD with Ultra High Brightness up to 1,600nits and 1280 x 1024 (SXGA) Resolution
- Signal Input: VGA, DVI-D and DisplayPort
- Wide Range Operating Temperature -5°C to 60°C
- Designed with Aluminum Die-casting Front Frame
- True Flat IP65 Front Panel Protection
- Supports Panel / VESA / \*Rack Mounting (\*with optional mounting kit)
- Wide Range Power Input 9~48VDC
- Convertible Display System (CDS) Technology Supported
- Supports Optical Bonding (Optional)

### Hardware Specification

#### Display

- LCD Size: 19" (5:4)
- Max. Resolution: 1280 x 1024
- Brightness (cd/m2): 1600
- Contrast Ratio: 1000 : 1
- LCD Color: 16.7M
- Pixel Pitch (mm): 0.294 (H) x 0.294 (V)
- Viewing Angle (H-V): 170 / 160
- Backlight MTBF: 50000 hrs (LED Backlight)

#### Touch

- Projected Capacitive Touch for CS-119C/M1001

#### I/O Ports

- 1x VGA
- 1x DVI-D
- 1x DisplayPort
- 1x Audio Input
- 1x USB 2.0
- 1x COM Port (Resistive Touch Only)

(USB & COM Port are reserved for the connection to enable touch usage only)

#### Physical

- Dimension (WxHxD): 510 x 389.3 x 73 mm
- Weight: 8.08 kg
- Construction Front Panel: Die-cast Flat Surface
- Mounting: Panel / VESA / \*Rack Mounting (\*with optional mounting kit)

#### Other Features

- Audio: AMP 5W + 5W (Internal Speaker)
- OSD Function: LCD On/Off, Auto, Menu, Up and Down
- Multi-language OSD Function

#### Power

- 1x 3-pin Terminal Block Connector with Power Input 9~48VDC
- 1x Optional AC/DC 12V/5A, 60W Power Adapter

#### Environment

- Operating Temperature: Ambient with Air Flow: -5°C to 60°C (with Industrial Grade Peripherals)
- Storage Temperature: -20°C to 70°C
- Shock: Operating, 15 Grms, Half-sine 11 ms Duration (w/ SSD, according to IEC60068-2-27)
- Vibration: Operating, 1.5 Grms, 5-500 Hz, 3 Axes (w/ SSD, according to IEC60068-2-64)
- Relative humidity: 90% RH @ 40°C (Non-Condensing)
- IP Level: IP 65 Compliant Front Panel

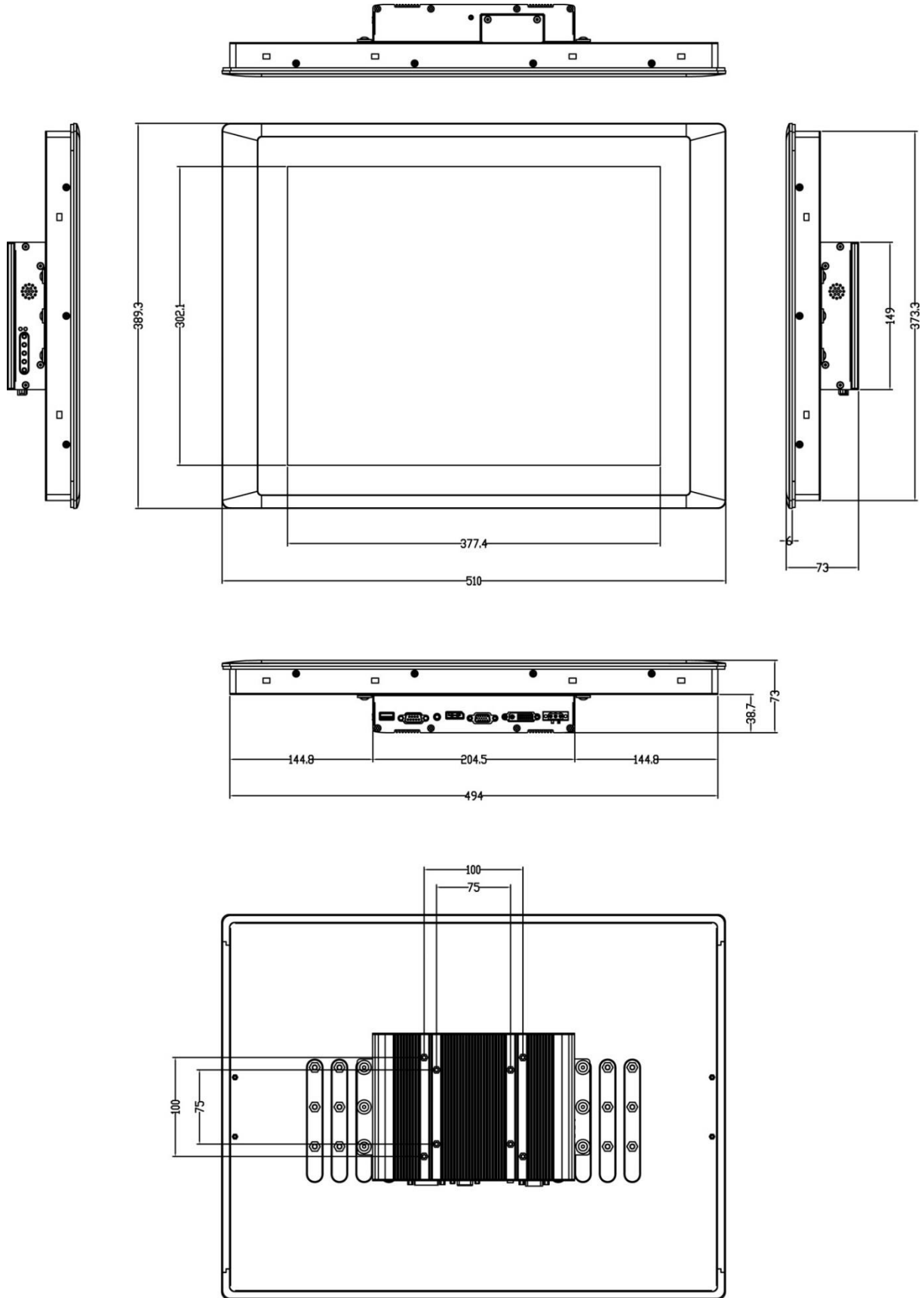
#### Certification

- CE
- FCC Class A

Dimension

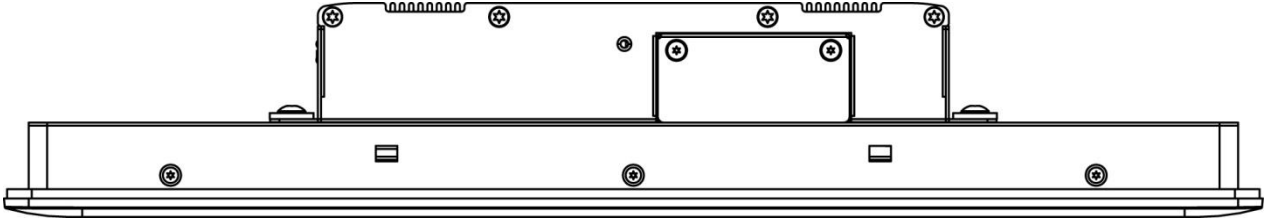
CS-119C/M1001 & CS-119C-OB/M1001

Unit: mm



## 1.4 System I/O

### 1.4.1 Front



### 1.4.2 Rear

#### DC IN

Used to plug a DC power input with terminal block.

#### VGA

Use the rear panel standard 15-pin female VGA connector to connect the monitor to the system graphics interface.

#### DVI-D

This 24-pin port is for PC (Personal Computer) DVI-D digital signal connection.

#### DisplayPort

The DisplayPort connector connects to a display device with DisplayPort interface.

#### Audio-in

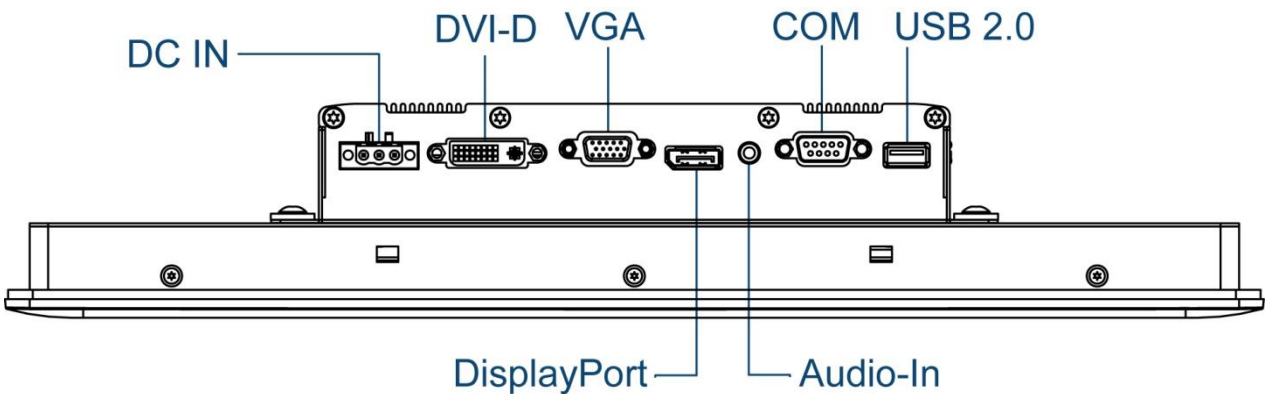
This port connects PC audio source by the bundled audio cable.

#### USB for Touch Panel Connector

Use the rear panel standard USB touch panel connector to connect the monitor to the system interface.

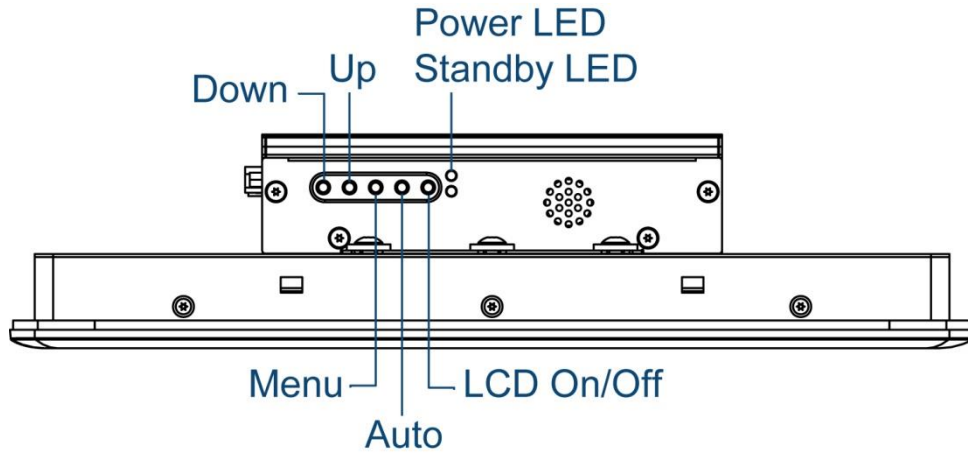
#### COM Port for Touch Panel Connector (Resistive Touch Only)

Use the rear panel standard RS-232 DB-9 female touch panel connector to connect the monitor to the system interface.





### 1.4.3 Side (Left)



### 1.4.4 Side (Right)

#### OSD (On Screen Display) Function: LCD On/Off

Press to turn-on or turn-off the display.

#### Auto

Press to auto adjust the optimal frequency of horizontal and vertical.

#### Menu

Press this button to turn on/off the OSD main menu.  
Press this button to activate selected items.

#### Up

To increase the value of selected item.

#### Down

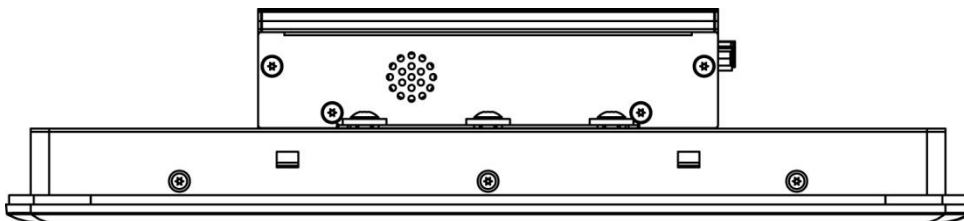
To decrease the value of selected item.

#### Power LED

Indicates the power status of the monitor.

#### Stand by LED

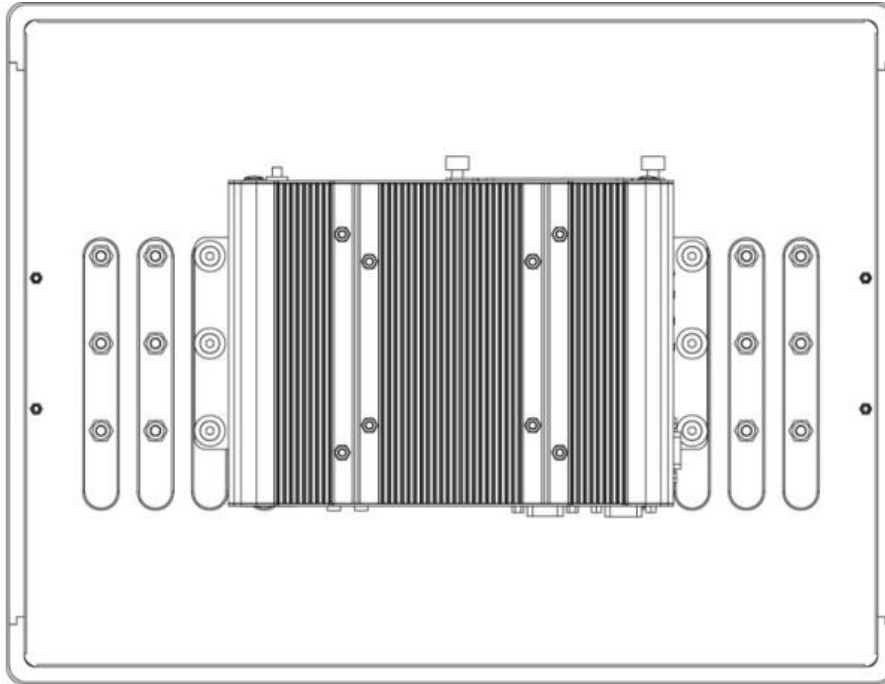
Indicates the stand by mode of the monitor.



## 1.4.5 Top

### VESA Mounting Hole

These are mounting holes for VESA mount (75x75mm and 100x100mm)





## **Chapter 2**

# OSD Operation

## 2.1 OSD Function Description

OSD Menu	Description
 <p data-bbox="384 685 564 719">Luminance</p>	<ul data-bbox="810 472 1161 667" style="list-style-type: none"> <li>• Brightness</li> <li>• Contrast</li> <li>• Gamma</li> <li>• SuperResolution</li> </ul>
 <p data-bbox="416 1016 533 1050">Picture</p>	<ul data-bbox="810 801 1066 996" style="list-style-type: none"> <li>• Phase</li> <li>• Clock</li> <li>• H. Position</li> <li>• V. Position</li> </ul>
 <p data-bbox="427 1346 521 1379">Color</p>	<ul data-bbox="810 1131 1193 1326" style="list-style-type: none"> <li>• Color Temperature</li> <li>• Red</li> <li>• Green</li> <li>• Blue</li> </ul>
 <p data-bbox="360 1677 592 1711">OSD Settings</p>	<ul data-bbox="810 1460 1129 1655" style="list-style-type: none"> <li>• Horizontal</li> <li>• Vertical</li> <li>• Transparency</li> <li>• OSD Time Out</li> </ul>
 <p data-bbox="427 2002 525 2036">Setup</p>	<ul data-bbox="810 1794 1050 1989" style="list-style-type: none"> <li>• Language</li> <li>• Mute</li> <li>• Input</li> <li>• Reset</li> </ul>



## **Chapter 3**

# System Setup

## 3.1 Connecting with CS Display Module

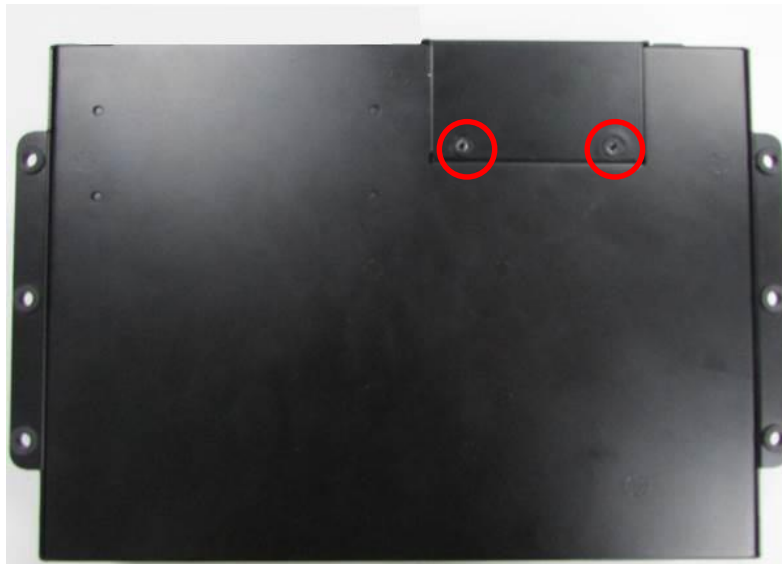
**WARNING**

In order to prevent electric shock or system damage, before removing the chassis cover, please turn off power and disconnect the unit from the power source.

1. Locate the module connector slot and loosen 1 screw.



2. Turn over the module and loose 2 screws at the back of the connector cover.



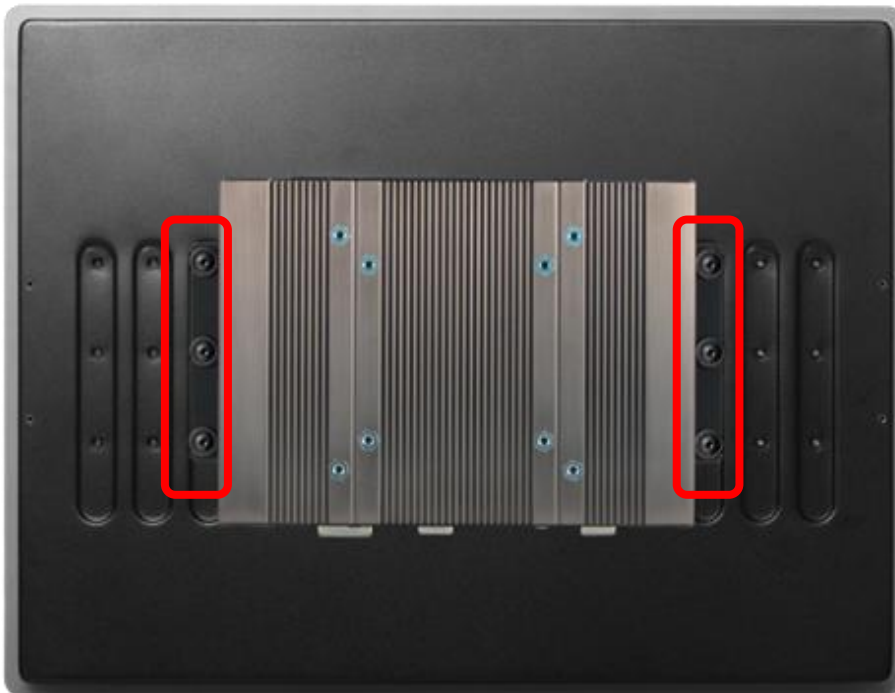
The photos shows the male connector (on display module) and female connector (on PC module)



### 3. Connect the modules.



### 4. Have the studs screwed to the display module through the holes of the PC module.



## 3.2 VESA Mount

The following picture indicates VESA mounting hole pattern on M1000, which is compliant with VESA mounting standard.



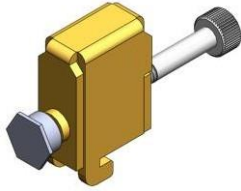
1. The following picture uses a panel PC (M1000+CS display module) as a demonstration. To attach the panel PC to a VESA stand, please fasten eight screws as indicated to fix it on the stand.



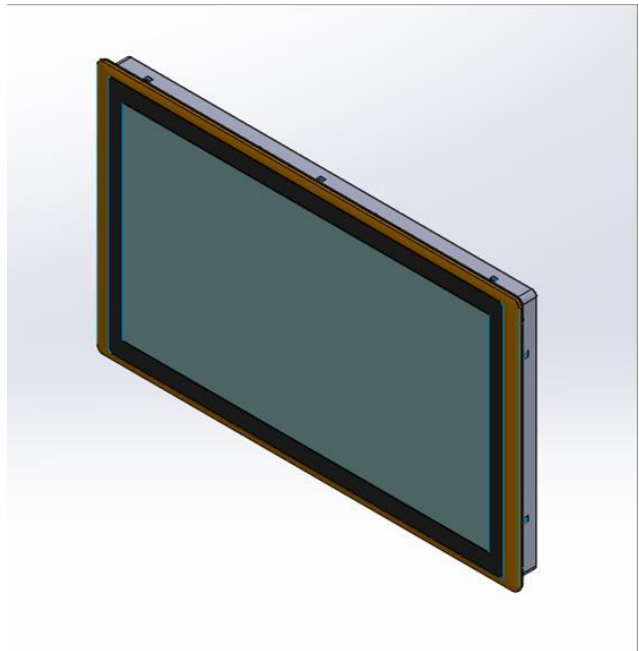


## 3.3 Panel Mount

1. Accessories provided by Cincoze are as follows.



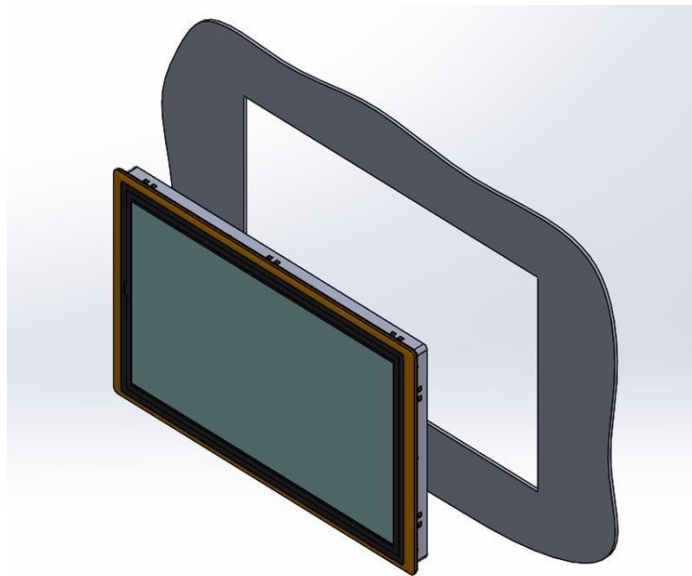
Mounting Kits



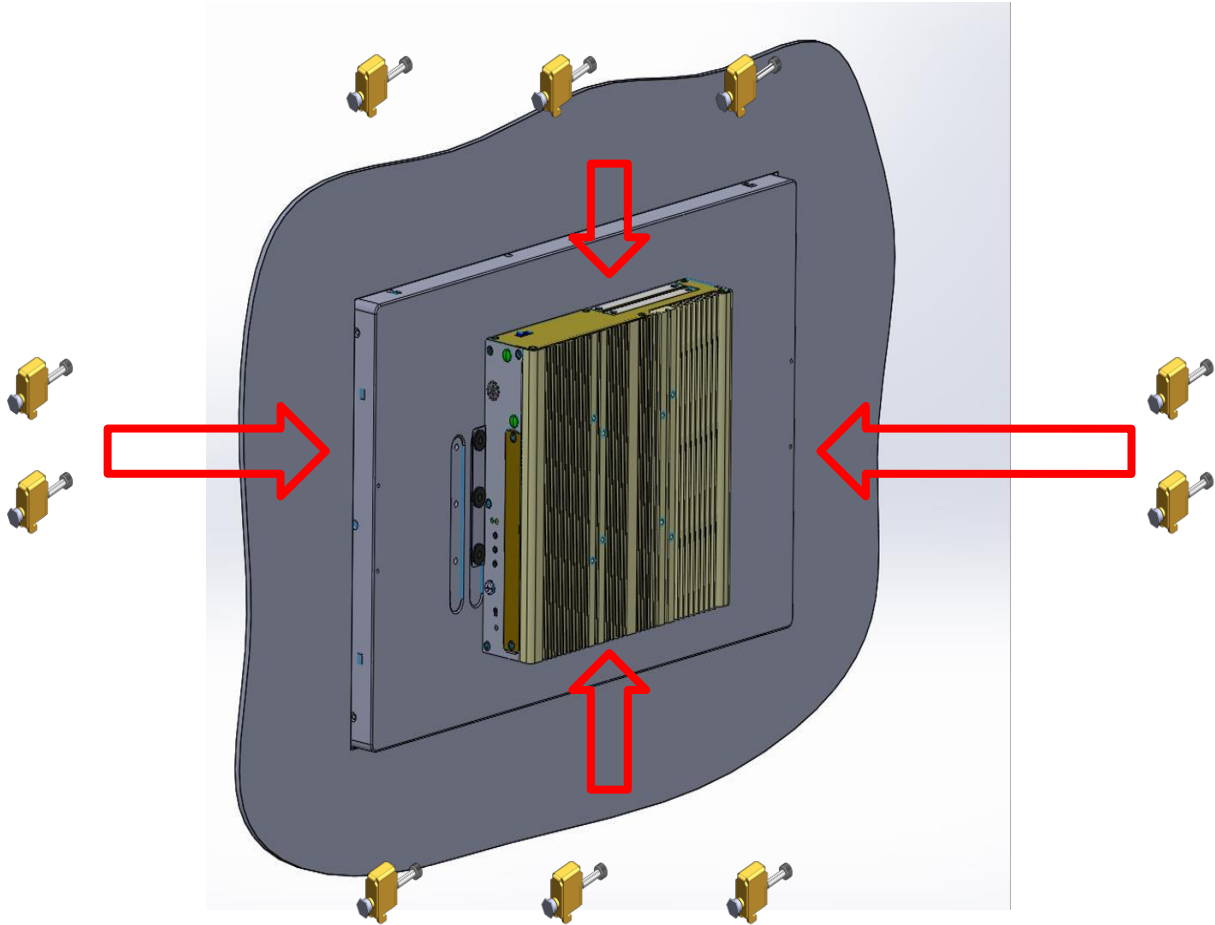
Panel Mount PPC

Before assembly, please prepare panel mount PPC and customer's fixture.

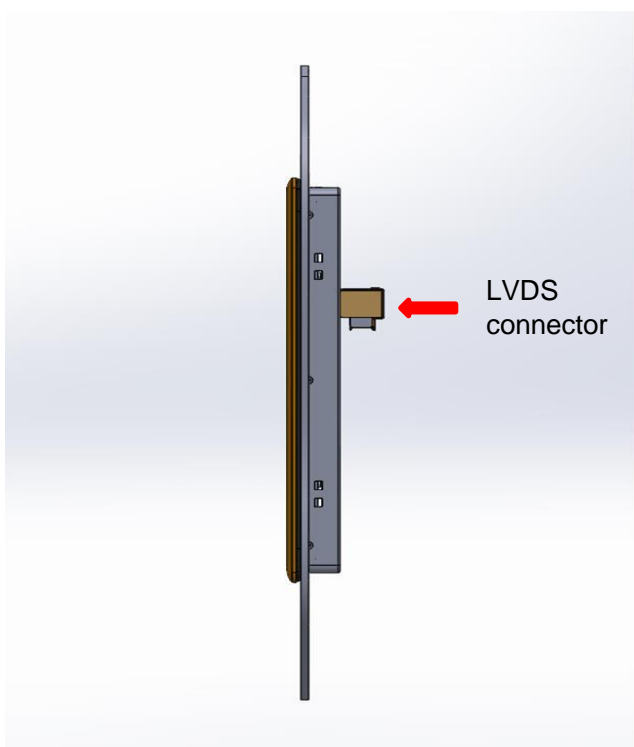
Panel Mount with customer's fixture  
(Front View)



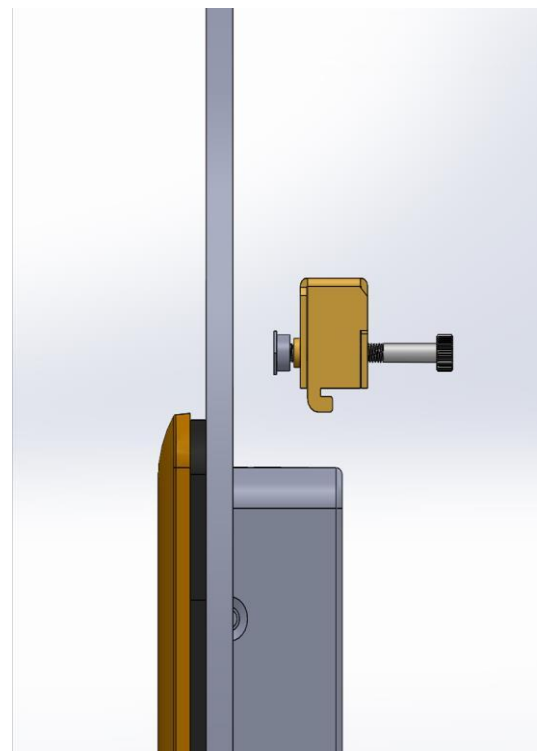
2. All mounting kits displayed are to be inserted into holes.



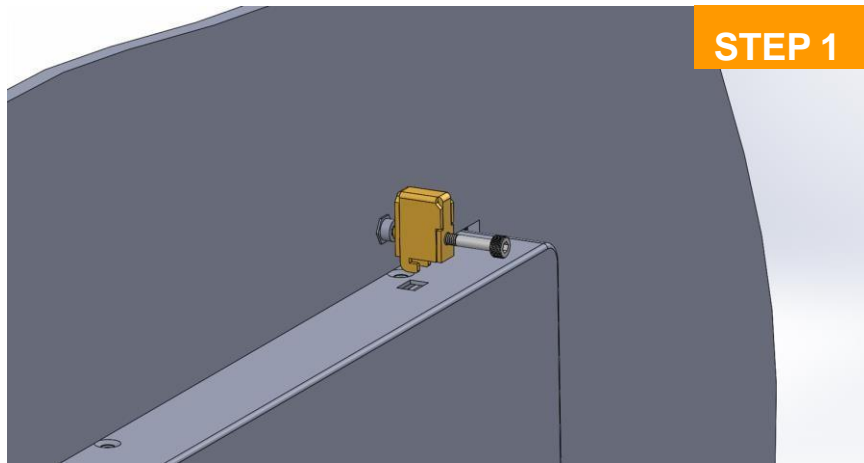
3. Installation preparation and steps.



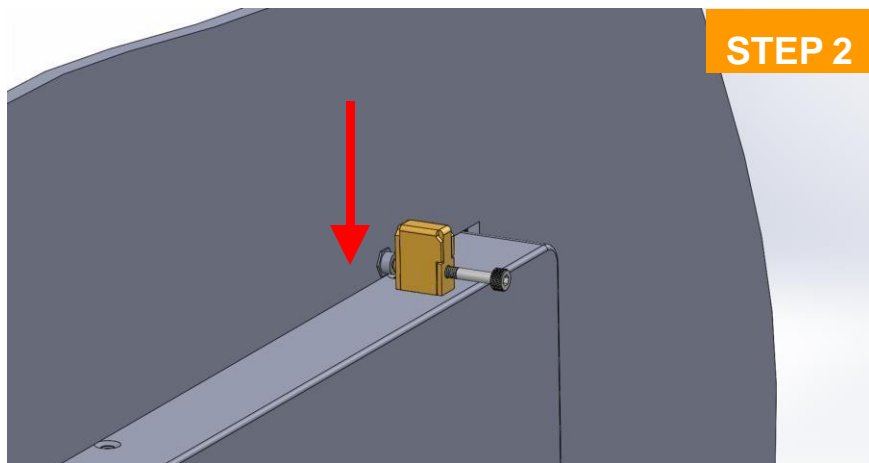
Panel mount side view with LVDS connector of CS series



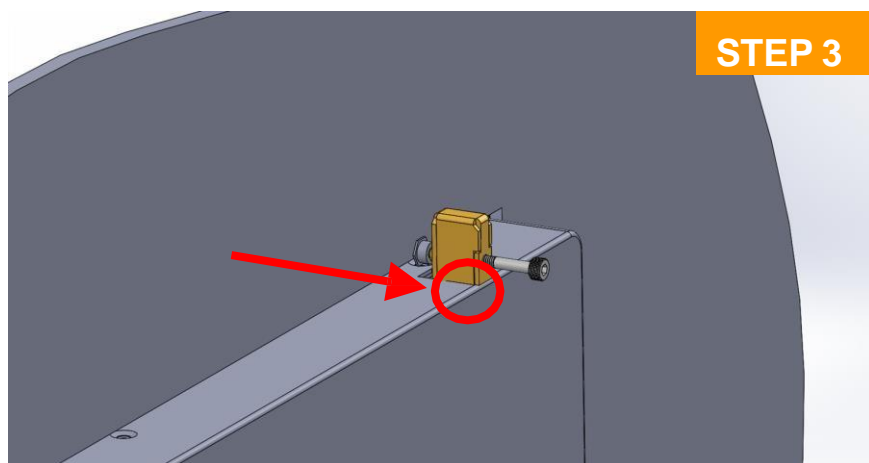
Before Mounting Kits are installed



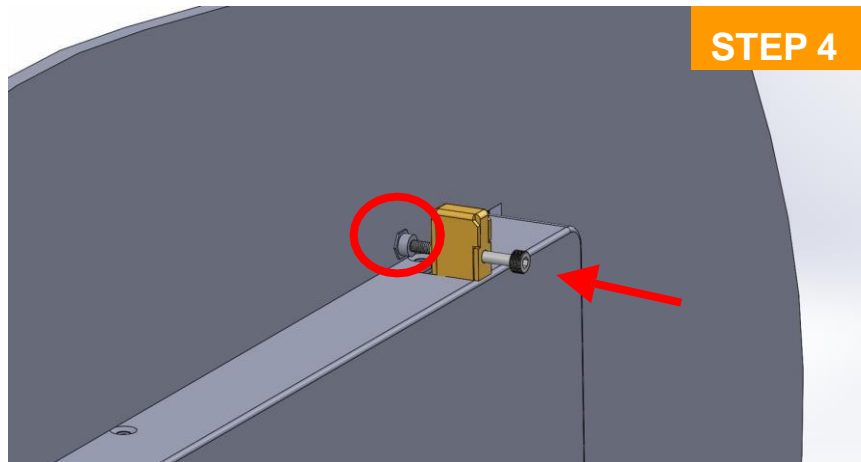
Position panel mount kits



Insert the panel mounting kit into bottom hole

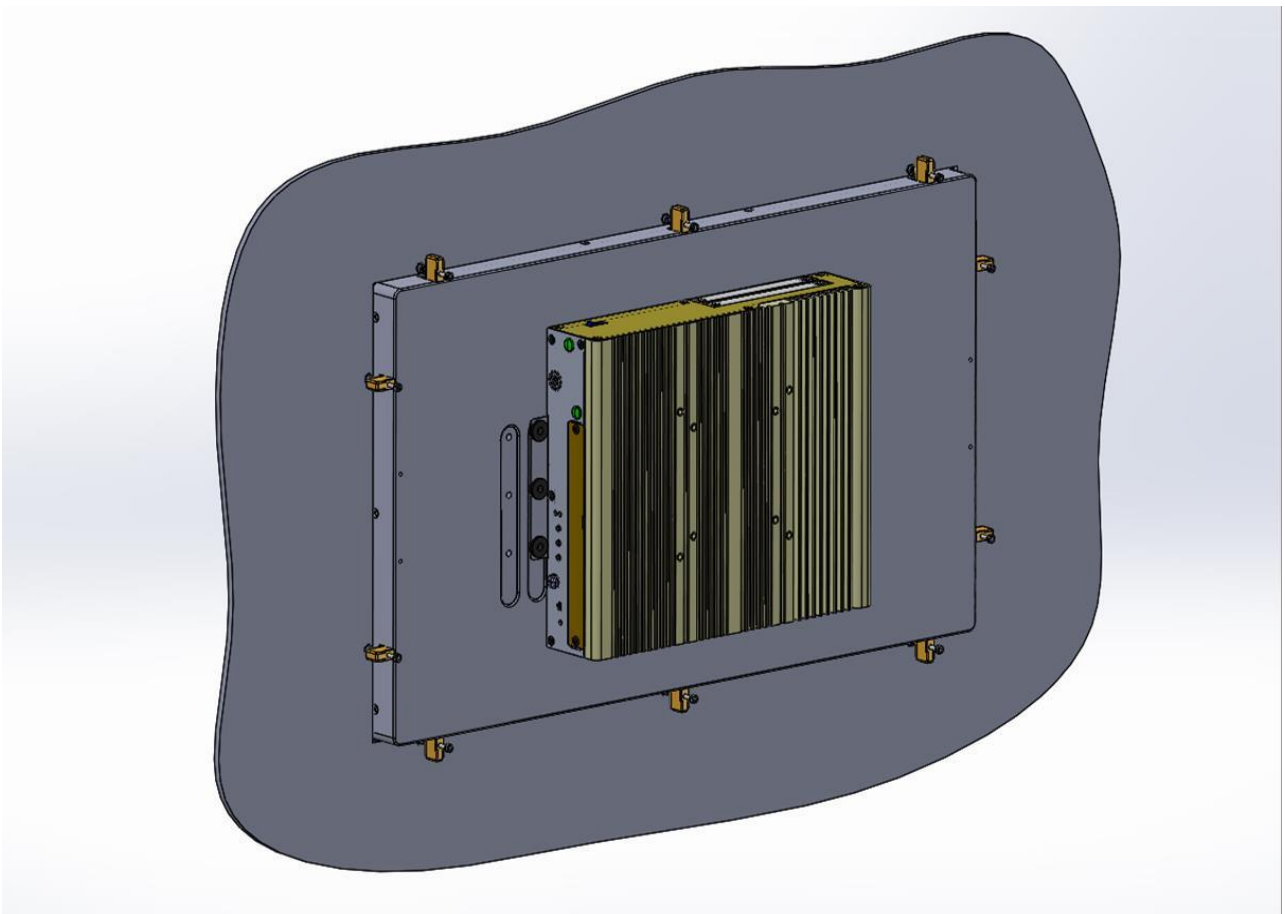


Slide the kit toward back



Tighten the screw forward until the front screw just touches the surface

4. Apply all mount kits to the rest of holes. And you have completed the panel mount installation, as shown below.





[www.cincoze.com](http://www.cincoze.com)

© 2014 Cincoze Co., Ltd. All rights reserved.

The Cincoze logo is a registered trademark of Cincoze Co., Ltd.

All other logos appearing in this catalog are the intellectual property of the respective company, product, or organization associated with the logo.

All product specifications and information are subject to change without notice.