



Bullet™ 40dB Antenna

KEY FEATURES

- GPS L1 with high gain
- Weatherproof housing
- Extended temperature range (-40°C / +90°C)
- High gain 40 ±3dB
- Filtering for RF Jamming environments
- Available in 3.3V (TNC) or 5V (TNC or F)
- RoHS-II Compliant

GPS L1 Band with higher gain

The Trimble® Bullet™ 40dB timing antennas are high gain antennas suitable for long cable runs and noisy RF environments.

In challenging urban RF environments the high antenna gain will significantly improve the performance of GNSS receiver

Put it anywhere

The antenna is housed in weatherproof packaging designed to withstand exposure to shock, vibration, extreme temperatures, rain, snow and sunlight

The dome is all plastic, and the threaded socket in the base of the antenna. The socket accepts either a 1"-14" straight thread (typical marine antenna mount) or a 3/4" pipe thread.

The F-type or TNC antenna connector is located inside the threaded socket, which allows the antenna cable to be routed inside a mounting pole and protects the cable connection.

Strong Performance

The Bullet 40dB antenna is an active GPS L1 band antenna with 5V DC and 3.3V DC options. The Bullet 40dB filtering improves immunity to other RF signals for reliable performance in hostile RF jamming environments.



Proven Reliability

For over 25 years, Trimble has sold GNSS antennas renowned for their survivability in tough environments. The Bullet 40dB antenna is the fifth generation of the proven Bullet antenna family and offers all the reliability and performance benefits that are required for mission critical installations.

In unforgiving environments, an antenna failure could be disastrous. Don't risk it. Select a proven GNSS antenna – the Trimble Bullet 40dB antenna.

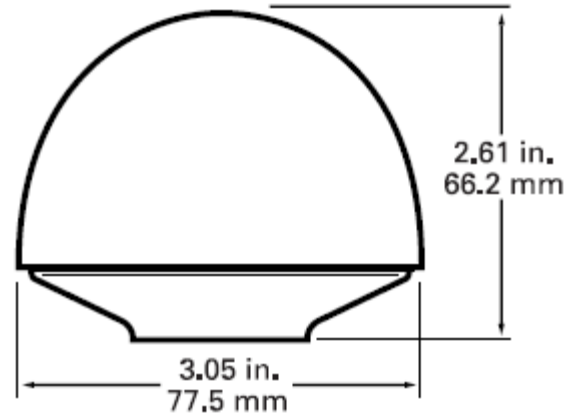
Bullet™ 40dB – High Gain GPS L1 Antenna

ENVIRONMENTAL SPECIFICATIONS

Operating Temperature.....-40°C to +90°C
 Storage Temperature.....-40°C to +90°C
 Vibration..... 10 – 200 Hz Log sweep
 3g (Sweep time 30 minutes) 3 axes
 Shock.....50g vertical, 30g all axes
 Humidity Soak.....+60°C @ 95% RH, 96 hours
 Corrosion Salt Resistant.....5% Salt spray tested, 96 hours

PHYSICAL CHARACTERISTICS – 3.3V & 5V DC ANTENNAS

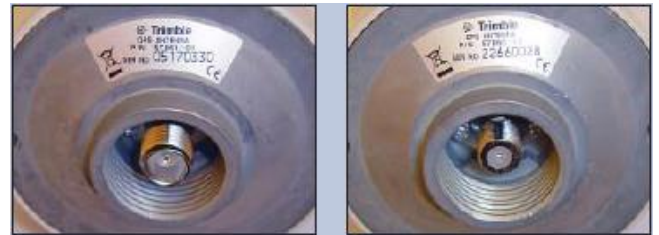
Dimensions.....3.05" D x 2.61" H (77.5mm x 66.2mm)
 Weight.....7.0oz (200grams)
 Enclosure.....Off-white plastic
 Connector.....F-type & TNC (5V) – TNC (3.3V only)
 Mounting.....1" – 14" thread or 3/4" pipe thread



TECHNICAL / PERFORMANCE SPECIFICATIONS

Feature	3.3V	5.0V
Prime Power	3.3V DV (±10%)	5.0V DV (±10%)
Power Consumption	<30mA	<35mA
Gain	38dB ± 3dB (GPS)	40dB ± 3dB (GPS)
Output Impedance	50Ω	
Frequency	GPS L1 1575.42 ±3MHz	
VSWR	2.0 maximum	
Axial ratio	<3dB	
Noise	2.0dB (typical)	
Bandwidth (10dB RL)	25 MHz (min)	
Out of Band rejection	fo= 1575.42MHz fo ±50 MHz: 30 dB typ fo ±100MHz: 40dB typ	
Azimuth coverage	360° (omni-directional)	
Elevation coverage	0°-90° elevation (hemispherical)	0°-90° elevation (hemispherical)
ESD	IEC 61000-4-2	

CONNECTORS



GENERAL INFORMATION & ACCESSORIES

Please go to www.trimble.com/timing for the latest documentation and tools, part numbers and ordering information.

MECHANICAL

NORTH AMERICA
 Trimble Navigation Limited
 Corporate Headquarters
 935 Stewart Drive
 Sunnyvale, CA 94085
 Phone: +1 703 237 7400
timing@trimble.com

EUROPE
 Trimble Navigation Europe
 Phone: +4670-544-1020

KOREA
 Trimble Export Ltd. Korea
 Phone: +82-2-555-5361

CHINA
 Trimble Navigation Ltd. China
 Phone: +86-10-8857-7575

