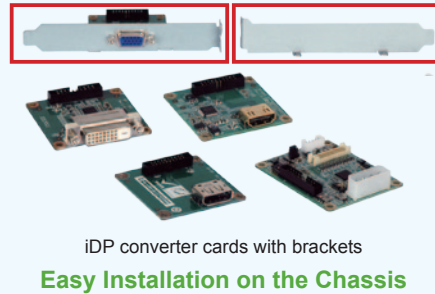
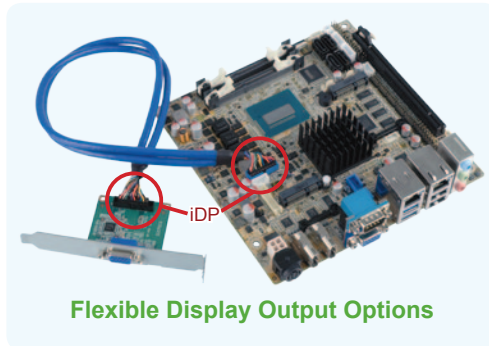


# IEI iDP Introduction

## iDP (IEI Internal DisplayPort)

The iDP connector is provided on the IEI 8-series products. Through the IEI iDP converter cards, the iDP connector can support different display specifications, such as VGA, HDMI, DVI-D and LVDS.

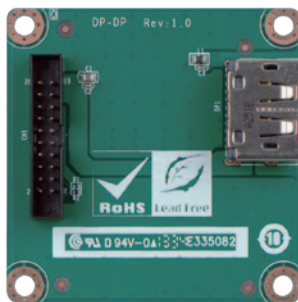


Model	Output	External Power
DP-VGA-R10	VGA	No
DP-HDMI-R10	HDMI	No
DP-DVI-R10	DVI	No
DP-LVDS-R10	LVDS	Yes
DP-DP-R10	DP	No

iDP Supported Models	
SPCIE-C2260-i2	IMB-H810-i2
PCIE-Q870-i2	KINO-DQM871
IMBA-Q870-i2	KINO-DH810
IMBA-C2260-i2	WAFER-ULT-i1
IMB-Q870-i2	WAFER-KBN-i1

## DP-DP-R10

DisplayPort extension board (for IEI iDP connector), RoHs



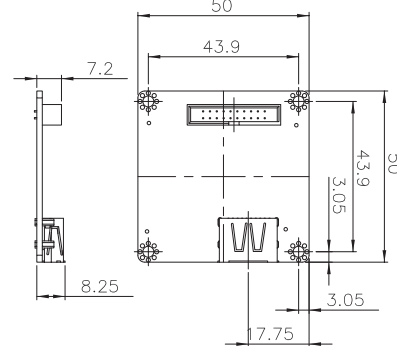
### Features

1. DisplayPort output
2. Support up to 1920x1200 resolution

### Specifications

- ◆ Display Input: 1 x IEI iDP connector
- ◆ Display Output: 1 x DisplayPort
- ◆ Temperature: -20°C ~ 60°C
- ◆ Humidity: 5 ~ 95% non-condensing
- ◆ Dimensions: 50 mm x 50 mm

### Dimensions (mm)



**New**

### Packing List

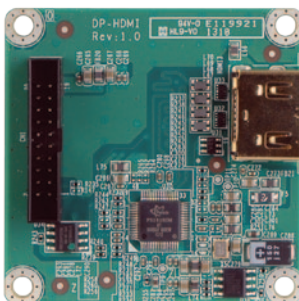
1 x DP-DP extension board	1 x QIG
1 x IEI iDP connector cable, 450 mm length (PN: 32034-000200-100-RS)	

### Ordering Information

Part No.	Description
DP-DP-R10	DisplayPort extension board (for IEI iDP connector), RoHs

## DP-HDMI-R10

DisplayPort to HDMI converter board (for IEI iDP connector), RoHs



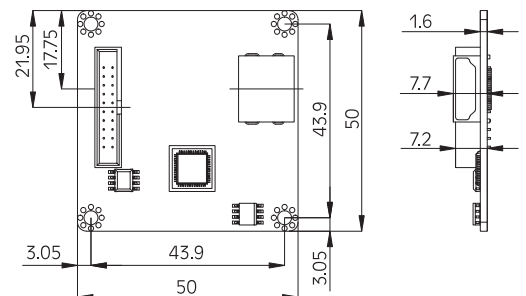
### Features

1. DisplayPort to HDMI output
2. Support up to 1920x1200 resolution

### Specifications

- ◆ Display Input: IEI iDP connector
- ◆ Display Output: 1 x HDMI
- ◆ Display IC: Parade - PS161 (DP to HDMI / DVI)
- ◆ Temperature: -10°C ~ 60°C
- ◆ Humidity: 5 ~ 95% non-condensing
- ◆ Dimensions: 50 mm x 50 mm

### Dimensions (mm)



### Packing List

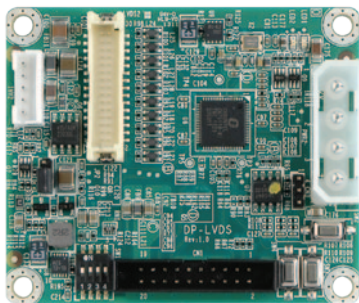
1 x DP-HDMI convert board	1 x QIG
1 x Internal DisplayPort cable, 450 mm length (PN: 32034-000200-100-RS)	

### Ordering Information

Part No.	Description
DP-HDMI-R10	DisplayPort to HDMI converter board (for IEI iDP connector), RoHs

# DP-LVDS-R10

DisplayPort to 24-bit dual-channel LVDS converter board  
(For I/EI iDP connector), RoHS



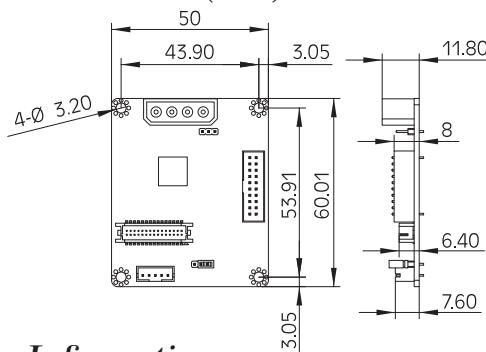
## Features

1. DisplayPort to LVDS output
2. Supports 24-bit dual-channel up to 1920x1200

## Specifications

- ◆ Display Input: 1 x I/EI iDP connector
- ◆ Display Output: 1 x LVDS 24-bit dual channel
- ◆ Display IC: Chrontel - CH7511B (DP to LVDS)
- ◆ Temperature: -10°C ~ 60°C
- ◆ Humidity: 5% ~ 95 non-condensing
- ◆ Dimensions: 60 mm x 50 mm

## Dimensions (mm)



## Packing List

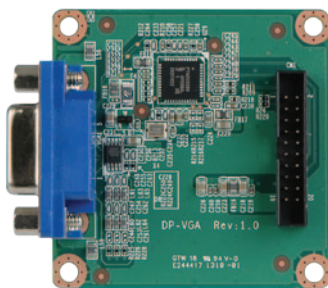
1 x DP-LVDS convertor board	1 x QIG
1 x Internal DisplayPort cable, 450 mm length (PN: 32034-000200-100-RS)	

## Ordering Information

Part No.	Description
DP-LVDS-R10	DisplayPort to 24-bit dual-channel LVDS converter board (for I/EI iDP connector), RoHS

# DP-VGA-R10

DisplayPort to VGA converter board (for I/EI iDP connector),  
RoHS



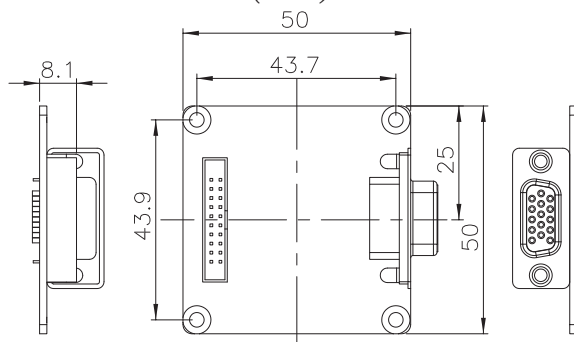
## Features

1. DisplayPort to VGA output
2. Support up to 1920x1200 resolution

## Specifications

- ◆ Display Input: 1 x I/EI iDP connector
- ◆ Display Output: 1 x VGA
- ◆ Display IC: NXP - PTN3392 (DP to VGA)
- ◆ Temperature: -10°C ~ 60°C
- ◆ Humidity: 5% ~ 95 non-condensing
- ◆ Dimensions: 50 mm x 50 mm

## Dimensions (mm)



## Packing List

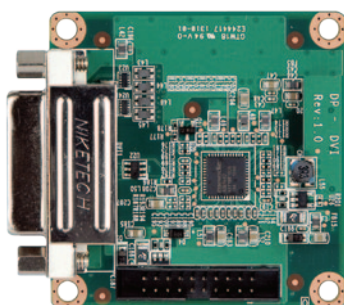
1 x DP-VGA converter board	1 x QIG
1 x Internal displayport cable, 450 mm length (PN: 32034-000200-100-RS)	

## Ordering Information

Part No.	Description
DP-VGA-R10	DisplayPort to VGA converter board (for I/EI iDP connector), RoHS

# DP-DVI-R10

DisplayPort to DVI converter board (for I/EI iDP connector),  
RoHS



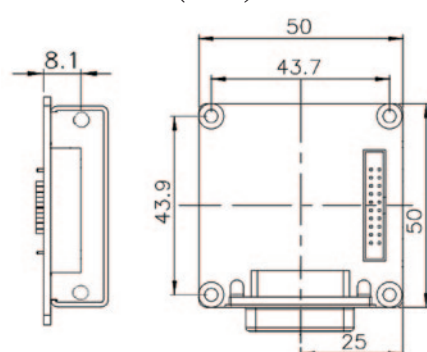
## Features

1. DisplayPort to DVI output
2. Support up to 1920x1200 resolution

## Specifications

- ◆ Display Input: 1 x I/EI iDP connector
- ◆ Display Output: 1 x DVI
- ◆ Display IC: Parade - PS161 (DP to HDMI / DVI)
- ◆ Temperature: -10°C ~ 60°C
- ◆ Humidity: 5% ~ 95 non-condensing
- ◆ Dimensions: 50 mm x 50 mm

## Dimensions (mm)



## Packing List

1 x DP-DVI converter board	1 x QIG
1 x Internal DisplayPort cable, 450 mm length (PN: 32034-000200-100-RS)	

## Ordering Information

Part No.	Description
DP-DVI-R10	DisplayPort to DVI converter board (for I/EI iDP connector), RoHS