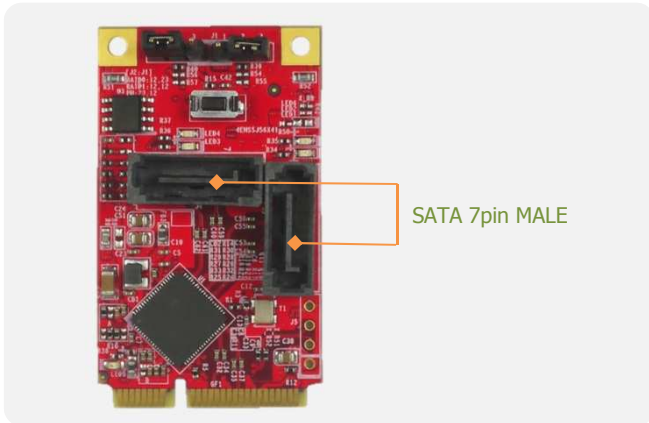


# EMSS-32R1

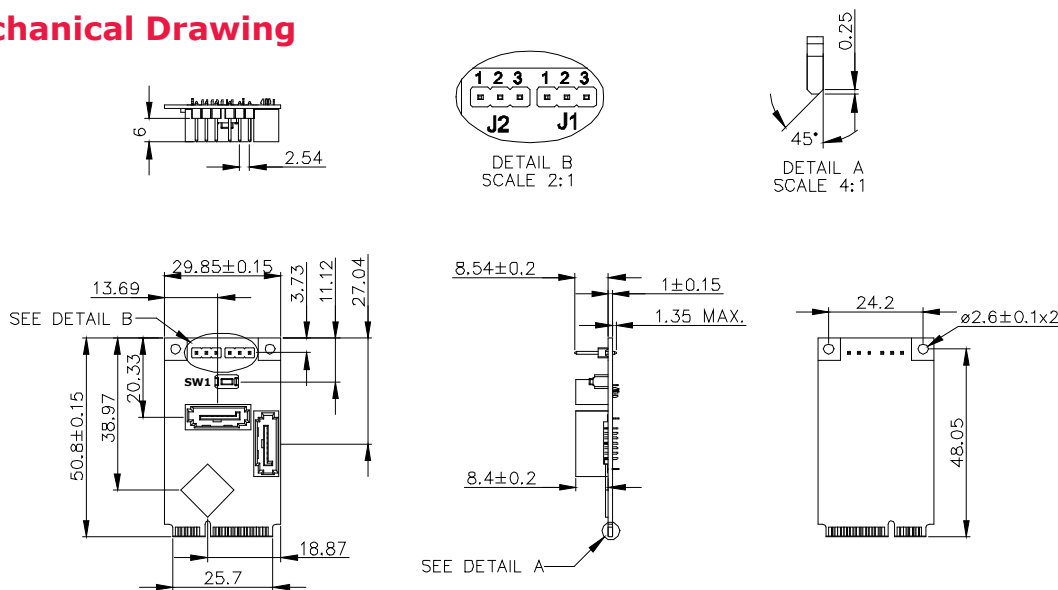
## mSATA to Dual SATA III RAID Module



### Features

- Supports mSATA to dual SATA III by Port Multiplier.
- Supports H/W RAID 0/1 over SATA.
- 30μ golden finger, 3 years warranty.
- Industrial design, manufactured in innodisk Taiwan

### Mechanical Drawing



### Specifications

**Headquarters (Taiwan)**  
 5F., No. 237, Sec. 1, Datong Rd.,  
 Xizhi Dist., New Taipei City 221,  
 Taiwan  
 Tel: +886-2-77033000  
 Email: sales@innodisk.com

**Branch Offices:**  
**USA**  
[usasales@innodisk.com](mailto:usasales@innodisk.com)  
 +1-510-770-9421

**Europe**  
[eusales@innodisk.com](mailto:eusales@innodisk.com)  
 +31-040-282-1818

**Japan**  
[jpsales@innodisk.com](mailto:jpsales@innodisk.com)  
 +81-45-594-7581

**China**  
[sales\\_cn@innodisk.com](mailto:sales_cn@innodisk.com)  
 +86-755-21673689

[www.innodisk.com](http://www.innodisk.com)

© 2014 Innodisk Corporation.  
 All right reserved. Specifications  
 are subject to change without  
 prior notice.

May 22, 2015

Form-Factor	mSATA
Input I/F	SATA III
Output I/F	SATA III
Output Connector	SATA 7pin x 2
TDP	1.65W (3.3V x 498mA)
Dimension (WxLxH)	29.85 x 50.8 x 10.8 mm, Weight: 7g
Temperature	Operation: STD: 0°C ~ +70°C Storage: -55°C ~ +95°C
Environment	Vibration: 5G @7~2000Hz, Shock: 50G @ 0.5ms
Notes	1. RAID Mode Setting: [J2:J1] RAID0: 12:23, RAID1: 12:12, PM: 23:12 2. Press tact switch SW1 for reset.