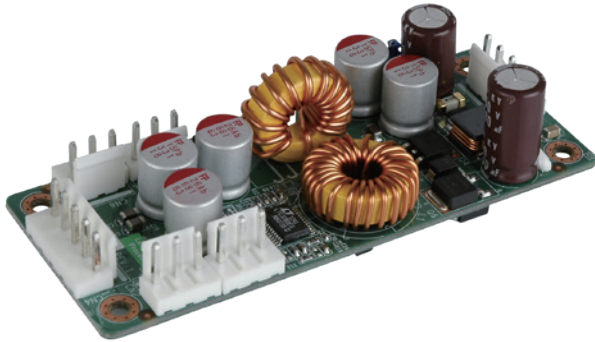


# IDD-936260A 60 W DC/DC Converter Module



## Features

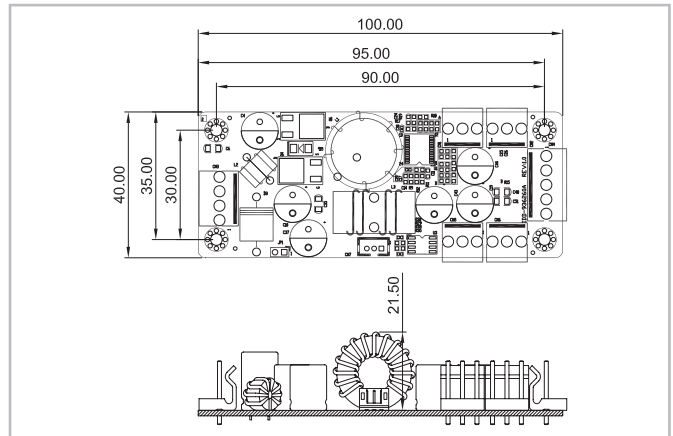
1. Wide input range: 9-36 VDC
2. AT or ATX mode on/off
3. Up to 90% efficiency
4. RoHS compliant
5. Compact size

## Specifications

- Output (max.): 12 V@3 A, 5 V@10 A & 5VSB@0.5 A
- Max. total output: 60 W
- Input: 9 VDC to 36 VDC
- Performance characteristics  
Noise & ripple: <240 mV  
Line regulation: <50 mV  
Load regulation: <100 mV  
Efficiency: Up to 90%
- Dimensions (mm): 40 x 100
- Weight (NW): 58 g
- Operating temperature: -20°C ~ 70°C



## Dimensions (Unit: mm)



## Pin Assignments

### Input Power Connector

CN3	Pin 1	Pin 2	Pin 3	Pin 4
	VIN	VIN	GND	GND

### Output Power Connector

CN4	Pin 1	Pin 2	Pin 3	Pin 4	Pin 5
	+5 V	+5 V	GND	GND	+12 V

CN1 CN2 CN5 CN6	Pin 1	Pin 2	Pin 3
	+5 V	GND	+12 V

### ATX Mode Connector

CN7	Pin 1	Pin 2	Pin 3
	5VSB	GND	PS_ON

## Packing Information

1 x IDD-936260A

1 x QIG

## Ordering Information

Part No.	Description
IDD-936260A-R11	60 W DC/DC 9~36 V input, 12 V, 5 V & 5VSB output
CB-3PSATA-RS	10 cm cable for SATA power
CB-3PIDE-RS	10 cm cable for IDE HDD power
CB-NOLP4-RS	20 cm cable for terminal block DC input

## Wire Harness Selection Guide

### DC Input (CN3)



**Option 1.**  
PN: CB-NOLP4-RS  
Cable for terminal block

### I/O Power (CN1, CN2, CN5 & CN6)



**Option 1.**  
PN: CB-3PSATA-RS  
Cable for SATA



**Option 2.**  
PN: CB-3PIDE-RS  
Cable for IDE HDD or any STD  
4 pins I/O devices

1

Industrial Computing Solutions

2

Video Capture Solutions

3

Industrial System

4

Industrial Computer Chassis

5

Power Supply/ Peripherals