



ADLINK
TECHNOLOGY INC.

DAQ-/DAQe-/PXI- 2204/2205/2206/2208

64-/96-CH High Performance
Multi-Function Data Acquisition Card
User's Manual

Manual Rev. 2.01
Revision Date: December 04, 2007
Part No: 50-11220-2010



Recycled Paper

Advance Technologies; Automate the World.



Copyright 2007 ADLINK TECHNOLOGY INC.

All Rights Reserved.

The information in this document is subject to change without prior notice in order to improve reliability, design, and function and does not represent a commitment on the part of the manufacturer.

In no event will the manufacturer be liable for direct, indirect, special, incidental, or consequential damages arising out of the use or inability to use the product or documentation, even if advised of the possibility of such damages.

This document contains proprietary information protected by copyright. All rights are reserved. No part of this manual may be reproduced by any mechanical, electronic, or other means in any form without prior written permission of the manufacturer.

Trademarks

Product names mentioned herein are used for identification purposes only and may be trademarks and/or registered trademarks of their respective companies.

Getting service

Customer satisfaction is our top priority. Contact us should you require any service or assistance.

ADLINK TECHNOLOGY INC.

Web Site <http://www.adlinktech.com>
Sales & Service service@adlinktech.com
Telephone No. +886-2-8226-5877
Fax No. +886-2-8226-5717
Mailing Address 9F No. 166 Jian Yi Road, Chungho City,
Taipei Hsien 235, Taiwan, ROC

ADLINK TECHNOLOGY AMERICA, INC.

Sales & Service info@adlinktech.com
Toll-Free +1-866-4-ADLINK (235465)
Fax No. +1-949-727-2099
Mailing Address 8900 Research Drive, Irvine,
CA 92618, USA

ADLINK TECHNOLOGY EUROPEAN SALES OFFICE

Sales & Service emea@adlinktech.com
Toll-Free +49-211-4955552
Fax No. +49-211-4955557
Mailing Address Nord Carree 3, 40477 Düsseldorf, Germany

ADLINK TECHNOLOGY SINGAPORE PTE LTD.

Sales & Service singapore@adlinktech.com
Telephone No. +65-6844-2261
Fax No. +65-6844-2263
Mailing Address 84 Genting Lane #07-02A,
Cityneon Design Center, Singapore 349584

ADLINK TECHNOLOGY SINGAPORE PTE LTD. (INDIA Liaison Office)

Sales & Service india@adlinktech.com
Telephone No. +91-80-57605817
Fax No. +91-80-26671806
Mailing Address No. 1357, Ground Floor, "Anupama",
Aurobindo Marg JP Nagar (Ph-1)
Bangalore - 560078



ADLINK TECHNOLOGY INC. (KOREA Liaison Office)

Sales & Service korea@adlinktech.com
Telephone No. +82-2-20570565
Fax No. +82-2-20570563
Mailing Address 4F, Kostech Building, 262-2,
Yangjae-Dong, Seocho-Gu,
Seoul, 137-130, South Korea

ADLINK TECHNOLOGY (BEIJING) CO., LTD.

Sales & Service market@adlinkchina.com.cn
Telephone No. +86-10-5885-8666
Fax No. +86-10-5885-8625
Mailing Address Room 801, Building E, Yingchuangdongli
Plaza, No.1 Shangdidonglu,
Haidian District, Beijing, China

ADLINK TECHNOLOGY (SHANGHAI) CO., LTD.

Sales & Service market@adlinkchina.com.cn
Telephone No. +86-21-6495-5210
Fax No. +86-21-5450-0414
Mailing Address Floor 4, Bldg. 39, Caoheting Science and
Technology Park, No.333 Qinjiang Road,
Shanghai, China

ADLINK TECHNOLOGY (SHENZHEN) CO., LTD.

Sales & Service market@adlinkchina.com.cn
Telephone No. +86-755-2643-4858
Fax No. +86-755-2664-6353
Mailing Address C Block, 2nd Floor, Building A1,
Cyber-tech Zone, Gaoxin Ave. 7.S,
High-tech Industrial Park S.,
Nanshan District, Shenzhen,
Guangdong Province, China

Using this manual

1.1 Audience and scope

This manual guides you when using ADLINK multi-function DAQ-/DAQe-/PXI-2204/2205/2206/2208 card. The card's hardware, signal connections, and calibration information are provided for faster application building. This manual is intended for computer programmers and hardware engineers with advanced knowledge of data acquisition and high-level programming.

1.2 How this manual is organized

This manual is organized as follows:

Chapter 1 Introduction: This chapter introduces the DAQ-/DAQe-/PXI-2204/2205/2206/2208 card including its features, specifications and software support information.

Chapter 2 Installation: This chapter presents the card's layout, package contents, and installation.

Chapter 3 Signal Connections: This part describes the DAQ-/DAQe-/PXI-2204/2205/2206/2208 card signal connections.

Chapter 4 Operation Theory: The operation theory of the DAQ-/DAQe-/PXI-2204/2205/2206/2208 card functions including A/D conversion, D/A conversion, and programmable function I/O are discussed in this chapter.

Chapter 5 Calibration: The chapter offers information on how to calibrate the DAQ-/DAQe-/PXI-2204/2205/2206/2208 card for accurate data acquisition and output.

Warranty Policy: This presents the ADLINK Warranty Policy terms and coverages.

1.3 Conventions

Take note of the following conventions used throughout the manual to make sure that you perform certain tasks and instructions properly.

NOTE Additional information, aids, and tips that help you perform particular tasks.

IMPORTANT Critical information and instructions that you **MUST** perform to complete a task.

WARNING Information that prevents physical injury, data loss, module damage, program corruption etc. when trying to complete a particular task.

Table of Contents

Table of Contents	i
List of Tables	iii
List of Figures	iv
1 Introduction	1
1.1 Features.....	2
1.2 Applications	3
1.3 Specifications.....	3
1.4 Software Support.....	13
Programming Library	13
DAQ-LVIEW PnP: LabVIEW Driver	14
D2K-OCX: ActiveX Controls	14
2 Installation	15
2.1 Contents of Package	15
2.2 Unpacking.....	15
2.3 Card Layout.....	17
DAQe-2204/2205/2206/2208	17
DAQ-2204/2205/2206/2208	18
PXI-2204/2205/2206/2208	18
2.4 PCI Configuration	19
Plug and Play	19
Configuration	19
Troubleshooting	19
3 Signal Connections	21
3.1 Connectors Pin Assignment	21
CN1 Connector	22
CN2 Connector	24
SSI Connector	28
3.2 Analog Input Signal Connection	29
Types of signal sources	29
Input Configurations	29
Differential Input Mode	31
4 Operation Theory	33

4.1	A/D Conversion.....	33
	DAQ-/DAQe-/PXI-2204/2208 AI Data Format	33
	DAQ-/DAQe-/PXI-2005/2006/2016 AI Data Format	36
	Software Conversion with Polling Data	
	Transfer Acquisition Mode (Software Polling)	37
	Programmable Scan Acquisition Mode	38
	Specifying Channels, Gains, and Input	
	Configurations in the Channel Gain Queue	40
	Trigger Modes	42
	Bus-mastering DMA Data Transfer	52
4.2	D/A Conversion.....	54
	Software Update	55
	Timed Waveform Generation	56
	Trigger Modes	58
4.3	Digital I/O	64
4.4	General Purpose Timer/Counter Operation	64
	The Basics of Timer/Counter Functions	65
	General Purpose Timer/Counter modes	65
4.5	Trigger Sources	71
	Software-Trigger	71
	External Analog Trigger	71
4.6	User-controllable Timing Signals	77
	DAQ timing signals	78
	Auxiliary Function Inputs (AFI)	80
	System Synchronization Interface	82
5	Calibration	85
	5.1 Loading Calibration Constants.....	85
	5.2 Auto-calibration	86
	5.3 Saving Calibration Constants.....	86
	Warranty Policy	87

List of Tables

Table 1-1:	Programmabel Input Range	4
Table 1-2:	Bandwidth	5
Table 1-3:	System Noise	6
Table 1-4:	CMRR (DC to 60 Hz)	6
Table 1-5:	Settling Time to Full Scale Step	7
Table 3-1:	CN1 Pin Assignment for DAQ-/DAQe-/PXI-2204/2205/2206	22
Table 3-2:	CN1 Pin Assignment for DAQ-/DAQe-/PXI-2208 ...	23
Table 3-3:	CN2 Pin Assignment for DAQ-/DAQe-/PXI-2204/2205/2206	24
Table 3-4:	CN2 Pin Assignment for DAQ-/DAQe-/PXI-2208 ...	25
Table 3-5:	CN1/CN2 Signal Description	26
Table 3-6:	SSI Connector Pin Assignment	28
Table 3-7:	SSI Connector Legend	28
Table 4-1:	Bipolar Analog Input Range and Output Digital Code on DAQ/DAQe/PXI-2204/2208	35
Table 4-2:	Unipolar Analog Input Range and Output Digital Code on DAQ/DAQe/PXI-2204/2208	35
Table 4-3:	Bipolar Analog Input Range and Output Digital Code for DAQ/DAQe/PXI-2205/2206	36
Table 4-4:	Unipolar Analog Input Range and Output Digital Code for DAQ/DAQe/PXI-2205/2206	36
Table 4-5:	Bipolar Output Code Table	54
Table 4-6:	Unipolar Output Code Table	55
Table 4-7:	Analog Trigger SRC1 (EXTATRIG) Ideal Transfer Characteristic	72
Table 4-8:	User-controllable Timing Signals and Functionalities	78
Table 4-9:	Auxiliary Function Input Signals and Functionalities	80
Table 4-10:	SSI Timing Signal and Functions	82

List of Figures

Figure 2-1: DAQe-2204/2205/2206/2208 Card Layout	17
Figure 2-2: DAQ-2204/2205/2206/2208 Card Layout	18
Figure 2-3: PXI-2204/2205/2206/2208 Card Layout	18
Figure 3-1: Floating Source and RSE Input Connections	30
Figure 3-2: Ground-referenced Sources and NRSE nput Connections	30
Figure 3-3: Ground-referenced Source and Differential Input....	31
Figure 3-4: Floating Source and Differential Input	31
Figure 4-1: Synchronous Digital Inputs Block Diagram.....	34
Figure 4-2: Synchronous Digital Inputs Timing	34
Figure 4-3: Scan Timing.....	39
Figure 4-4: Pre-trigger (Trigger occurs after M scans).....	43
Figure 4-5: Pre-trigger (Trigger with scan in progress).....	44
Figure 4-6: Pre-trigger with M_enable=0 (Trigger occurs before M scans).....	45
Figure 4-7: Pre-trigger with M_enable=1	46
Figure 4-8: Middle-Trigger with M_enable = 1	47
Figure 4-9: Middle-Trigger (Trigger occurs when a scan is in progress).....	48
Figure 4-10: Post-trigger	49
Figure 4-11: Delay trigger	50
Figure 4-12: Post trigger with Re-trigger	51
Figure 4-13: Scatter/gather DMA for Data Transfer	53
Figure 4-14: Typical D/A Timing of Waveform Generation	57
Figure 4-15: Post Trigger Waveform Generation	58
Figure 4-16: Delay Trigger Waveform Generation	59
Figure 4-17: Re-triggered Waveform Generation with Post-Trigger (DLY2_Counter=0).....	59
Figure 4-18: Finite Iterative Waveform Generation with Post-trigger (DLY2_Counter = 0).....	60
Figure 4-19: Infinite Iterative Waveform Generation with Post-trigger (DLY2_Counter = 0).....	61
Figure 4-20: Stop Mode I	62
Figure 4-21: Stop Mode II	63
Figure 4-22: Stop Mode III	63
Figure 4-23: Mode1 Operation	66
Figure 4-24: Mode2 Operation	67
Figure 4-25: Mode3 Operation	67

Figure 4-26: Mode4 Operation	68
Figure 4-27: Mode5 Operation	69
Figure 4-28: Mode6 Operation	69
Figure 4-29: Mode7 Operation	70
Figure 4-30: Mode8 Operation	70
Figure 4-31: Analog Trigger Block Diagram.....	72
Figure 4-32: Below-Low Analog Trigger Condition	73
Figure 4-33: Above-High Analog Trigger Condition	73
Figure 4-34: Inside-Region Analog Trigger Condition.....	74
Figure 4-35: High-Hysteresis Analog Trigger Condition	75
Figure 4-36: Low-Hysteresis Analog Trigger Condition	75
Figure 4-37: External Digital Trigger	76
Figure 4-38: DAQ signals routing.....	77

1 Introduction

The DAQ-/DAQe-/PXI-2204/2205/2206/2208 card is an advanced data acquisition card based on the 32-bit PCI or PCI Express® architecture. High performance designs and state-of-the-art technology make these cards ideal for data logging and signal analysis applications in medical, process control, etc.

1.1 Features

The DAQ-/DAQe-/PXI-2204/2205/2206/2208 advanced data acquisition card has the following features:

- ▶ 32-bit PCI bus (DAQ/PXI models) or PCI Express (DAQe model), plug and play
- ▶ Up to 96 single-ended inputs or 48 differential inputs supporting combinations of SE and DI analog input signals
- ▶ Up to 1024 words analog input Channel Gain Queue configuration size
- ▶ Analog input resolution and sampling rate:
 - ▷ DAQ-/DAQe-/PXI-2204/2208: 12-bit and up to 3 MHz
 - ▷ DAQ-/DAQe-/PXI-2205: 16-bit and up to 500 KHz
 - ▷ DAQ-/DAQe-/PXI-2206: 16-bit and up to 250 KHz
- ▶ Programmable bipolar/unipolar analog input
- ▶ Programmable gain:
 - ▷ DAQ-/DAQe-/PXI-2204/2208: x1, x2, x4, x5, x8, x10, x20, x40, x50, x200
 - ▷ DAQ-/DAQe-/PXI-2205/2206: x1, x2, x4, x8
- ▶ A/D FIFO size: 1024 samples
- ▶ Versatile trigger sources: software trigger, external digital trigger, analog trigger and trigger from System Synchronization Interface (SSI)
- ▶ A/D data transfer: software polling and bus-mastering DMA with scatter/gather functionality
- ▶ Four A/D trigger modes including post-trigger, delay-trigger, pre-trigger and middle-trigger
- ▶ Two-channel D/A outputs with waveform generation capability (except DAQ-/DAQe-/PXI-2208)
- ▶ 1024 word length output data FIFO for D/A channels
- ▶ D/A data transfer: Software update and bus-mastering DMA with scatter/gather functionality
- ▶ Support System Synchronization Interface (SSI)
- ▶ Full A/D and D/A auto-calibration
- ▶ Jumper-free and software-configurable

1.2 Applications

- ▶ Automotive Testing
- ▶ Cable Testing
- ▶ Transient signal measurement
- ▶ ATE
- ▶ Laboratory Automation
- ▶ Biotech measurement

1.3 Specifications

Analog Input (AI)

- ▶ Programmable channels:
 - ▷ DAQ-/DAQe-/PXI-2204/2205/2206: 64 single-ended (SE) or 32 differential input (DI)
 - ▷ DAQ-/DAQe-/PXI-2208: 96 single-ended (SE) or 48 differential input (DI)
 - ▷ Mixing of SE and DI analog signal sources (Software selectable per channel)
- ▶ A/D converter:
 - ▷ DAQ-/DAQe-/PXI-2204/2008: LT1412 or equivalent
 - ▷ DAQ-/DAQe-/PXI-2205: A/D7665 or equivalent
 - ▷ DAQ-/DAQe-/PXI-2206: A/D7663 or equivalent
- ▶ Max sampling rate:
 - ▷ DAQ-/DAQe-/PXI-2204/2008: 3 MS/s (single-channel)
1 MS/s (multi-channel)
 - ▷ DAQ-/DAQe-/PXI-2205: 500 kS/s
 - ▷ DAQ-/DAQe-/PXI-2206: 250 kS/s
- ▶ Resolution:
 - ▷ DAQ-/DAQe-/PXI-2204/2208: 12-bit, no missing code
 - ▷ DAQ-/DAQe-/PXI-2205/2206: 16-bit, no missing code
- ▶ Input coupling: DC
- ▶ FIFO buffer size:
 - ▷ DAQ-/DAQe-/PXI-2010: 8K samples
 - ▷ DAQ-/DAQe-/PXI-2005/2006/2016: 512 samples

- ▶ Programmable input range:

Device	Bipolar input range	Unipolar input range
2204/ 2208	±10 V	—
	±5 V	0 to 10 V
	±2.5 V	0 to 5 V
	±2 V	0 to 4 V
	±1.25 V	0 to 2.5 V
	±1 V	0 to 2 V
	±0.5 V	0 to 1 V
	±0.25 V	0 to 0.5 V
	±0.2 V	0 to 0.4 V
±0.05 V	0 to 0.1 V	
2205/ 2206	±10 V	0 to 10 V
	±5 V	0 to 5 V
	±2.5 V	0 to 2.5 V
	±1.25 V	0 to 1.25 V

Table 1-1: Programmable Input Range

- ▶ Operational common mode voltage range: ±11V
- ▶ Over-voltage protection:
 - ▷ Power on: Continuous ±30V
 - ▷ Power off: Continuous ±15V
- ▶ FIFO buffer size: 1024 samples
- ▶ Data transfers:
 - ▷ Programmed I/O
 - ▷ Bus-mastering DMA with scatter/gather
- ▶ Channel Gain Queue configuration size:
 - ▷ DAQ-/DAQe-/PXI-2204/2205/2206: 512 words
 - ▷ DAQ-/DAQe-/PXI-2208: 1024 words

► Bandwidth (Typical 25°C):

Device	Input range		Small signal bandwidth (-3dB)	Large signal bandwidth (1% THD)
2204/ 2208	±10 V	—	2000 kHz	—
	±5 V	0 V to 10 V		
	±2.5 V	0 V to 5 V		
	±1.25 V	0 V to 2.5 V		
	±2 V	0 V to 4 V	1450 kHz	—
	±0.5 V	0 V to 1 V		
	±1 V	0 V to 2 V	990 kHz	—
	±0.25 V	0 V to 0.5 V		
	±0.2 V	0 V to 0.4 V	240 kHz	—
	±0.05 V	0 V to 0.1 V		
2205	±10 V	0 V to 0 V	1600 kHz	300 kHz
	±5 V	0 V to 5 V	1400 kHz	310 kHz
	±2.5 V	0 V to 2.5 V	1000 kHz	310 kHz
	±1.25 V	0 V to 1.25 V	600 kHz	330 kHz
2206	±10 V	0 V to 10 V	760 kHz	300 kHz
	±5 V	0 V to 5 V	720 kHz	310 kHz
	±2.5 V	0 V to 2.5 V	610 kHz	310 kHz
	±1.25 V	0 V to 1.25 V	450 kHz	330 kHz

Table 1-2: Bandwidth

- ▶ System Noise (LSBrms, including Quantization, Typical, 25°C)

Device	Input Range	System Noise	Input Range	System Noise
2205	±10 V	0.95 LSBrms	0 V to 10 V	1.5 LSBrms
	±5 V	1.0 LSBrms	0 V to 5 V	1.6 LSBrms
	±2.5 V	1.1 LSBrms	0 V to 2.5 V	1.7 LSBrms
	±1.25 V	1.3 LSBrms	0 V to 1.25 V	1.9 LSBrms
2206	±10 V	0.8 LSBrms	0 V to 10 V	0.9 LSBrms
	±5 V	0.85 LSBrms	0 V to 5 V	1.0 LSBrms
	±2.5 V	0.85 LSBrms	0 V to 2.5 V	1.0 LSBrms
	±1.25 V	0.9 LSBrms	0 V to 1.25 V	1.2 LSBrms

Table 1-3: System Noise

- ▶ Input impedance:
 - ▷ Normal power on: 1 GΩ/100 pF
 - ▷ Power off: 820 Ω
 - ▷ Overload: 820 Ω
- ▶ CMRR (DC to 60 Hz, Typical)

Device	Input Range	CMRR	Input Range	CMRR
2204/2208	All ranges	90 dB	—	—
2205/2206	±10 V	83 dB	0 V to 10 V	87 dB
	±5 V	87 dB	0 V to 5 V	90 dB
	±2.5 V	90 dB	0 V to 2.5 V	92 dB
	±1.25 V	92 dB	0 V to 1.25 V	93 dB

Table 1-4: CMRR (DC to 60 Hz)

► Settling time to full-scale step (Typical, 25°C):

Device	Input Range	Condition	Settling time
2204/ 2208	±10 V	<ul style="list-style-type: none"> Multiple channels, multiple ranges. All samples in unipolar/bipolar mode. 	1 μs to 0.1% error
	±5 V 0 to 10 V		
	±2.5 V 0 to 5 V		
	±2 V 0 to 4 V		
	±1.25 V 0 to 2.5 V		
	±0.5 V 0 to 1 V		
	±10 V	<ul style="list-style-type: none"> Multiple channels, multiple ranges. All samples in unipolar/bipolar mode. 	1.25 μs to 0.1% error
	±5 V 0 to 10 V		
	±2.5 V 0 to 5 V		
	√2 V 0 to 4 V		
	±1.25 V 0 to 2.5 V		
	±0.5 V 0 to 1 V		
2205/ 2206	±1 V 0 to 2 V	<ul style="list-style-type: none"> Multiple channels, multiple ranges. All samples in unipolar/bipolar mode. 	2 μs to 0.1% error
	±0.25 V 0 to 0.5 V		
	±0.2 V 0 to 0.4 V	<ul style="list-style-type: none"> Multiple channels, multiple ranges. All samples in unipolar/bipolar mode. 	5 μs to 0.1% error
	±0.05 V 0 to 0.1 V		
2205/ 2206	All Ranges	<ul style="list-style-type: none"> Multiple channels, multiple ranges. All samples in unipolar/bipolar mode. 	2 μs to 0.1% error, 4 μs to 0.01% error
	All Ranges		

Table 1-5: Settling Time to Full Scale Step

- ▶ Time-base source:
 - ▷ Internal 40 MHz or external clock Input (f_{\max} : 40 MHz, f_{\min} : 1 MHz, 50% duty cycle)
- ▶ Trigger modes: Post-trigger, delay-trigger, pre-trigger and middle-trigger
- ▶ Offset error:
 - ▷ Before calibration: ± 60 mV max
 - ▷ After calibration: ± 1 mV max
- ▶ Gain error (relative to calibration reference):
 - ▷ Before calibration: 0.6% of reading
 - ▷ After calibration (gain = 1):
 - 0.03% of reading max for DAQ-/DAQe-/PXI-2204/2208
 - 0.01% of reading max for DAQ-/DAQe-/PXI-2205/2206
 - ▷ Gain 1 with gain error adjusted to 0 at gain=1:
 - 0.05% of reading max

Analog Output (AO)

NOTE The DAQ-/DAQe-/PXI-2208 card does not support this function.

- ▶ Channels: Two-channel analog voltage output
- ▶ DA converter: LTC7545 or equivalent
- ▶ Max update rate: 1 MS/s
- ▶ Resolution: 12-bit
- ▶ FIFO buffer size:
 - ▷ 512 samples per channel when both channels are enabled for timed DA output
 - ▷ 1024 samples when only one channel is used for timed DA output
- ▶ Data transfers:
 - ▷ Programmed I/O
 - ▷ Bus-mastering DMA with scatter/gather
- ▶ Output range: ± 10 V, 0 V to 10 V, \pm AOEXTREF, 0 to AOEXTREF
- ▶ Settling time: 3 S to 0.5 LSB accuracy
- ▶ Slew rate: 20 V/ μ S
- ▶ Output coupling: DC
- ▶ Protection: Short-circuit to ground
- ▶ Output impedance: 0.01 Ω typical
- ▶ Output driving current: ± 5 mA max
- ▶ Stability: Any passive load, up to 1500 pF
- ▶ Power-on state: 0V steady-state
- ▶ Power-on glitch: ± 1.5 V/500 μ S
- ▶ Relative accuracy: ± 0.5 LSB typical, ± 1 LSB max
- ▶ DNL: ± 0.5 LSB typical, ± 1.2 LSB max
- ▶ Offset error:
 - ▷ Before calibration: ± 80 mV max
 - ▷ After calibration: ± 1 mV max
- ▶ Gain error:
 - ▷ Before calibration: $\pm 0.8\%$ of output max
 - ▷ After calibration: $\pm 0.02\%$ of output max

General Purpose Digital I/O (G.P. DIO, 82C55A)

- ▶ Channels: 24 programmable input/output
- ▶ Compatibility: TTL
- ▶ Input voltage:
 - ▷ Logic Low: $V_{IL}=0.8\text{ V max}$; $I_{IL}=0.2\text{ mA max}$
 - ▷ High: $V_{IH}=2.0\text{ V max}$; $I_{IH}=0.02\text{ mA max}$
- ▶ Output voltage:
 - ▷ Low: $V_{OL}=0.5\text{ V max}$; $I_{OL}=8\text{ mA max}$
 - ▷ High: $V_{OH}=2.7\text{ V min}$; $I_{OH}=400\text{ }\mu\text{A}$
- ▶ Synchronous Digital Inputs (SDI): On DAQ-/DAQe-/PXI-2204 model only.
 - ▷ Channels: 8 digital inputs sampled simultaneously with the analog signal input
 - ▷ Compatibility: TTL/CMOS
 - ▷ Input voltage:
 - Logic Low: $V_{IL}=0.8\text{ V max}$; $I_{IL}=0.2\text{ mA max}$
 - Logic High: $V_{IH}=2.7\text{ V min}$; $I_{IL}=0.02\text{ mA max}$

General Purpose Timer/Counter (GPTC)

NOTE The DAQ-/DAQe-/PXI-2208 does not support this function.

- ▶ Channels: 2 independent up/down timer/counters
- ▶ Resolution: 16-bit
- ▶ Compatibility: TTL
- ▶ Clock source: Internal or external
- ▶ Max source frequency: 10 MHz

Analog Trigger (A.Trig)

- ▶ Source:
 - ▷ All analog input channels
 - ▷ External analog trigger (EXTATRIG)
- ▶ Level: \pm Full-scale, internal; \pm 10 V external
- ▶ Resolution: 8-bit
- ▶ Slope: Positive or negative (software-selectable)
- ▶ Hysteresis: Programmable
- ▶ Bandwidth: 400 kHz

External Analog Trigger Input (EXTATRIG)

- ▶ Input Impedance:
 - ▷ 40 k Ω for DAQ-/DAQe-/PXI-2204/2208
 - ▷ 20 k Ω for DAQ-/DAQe-/PXI-2205/2206
- ▶ Coupling: DC
- ▶ Protection: Continuous \pm 35 V maximum

Digital Trigger (D.Trig)

- ▶ Compatibility: TTL/CMOS
- ▶ Response: Rising or falling edge
- ▶ Pulse Width: 10 ns min

System Synchronous Interface (SSI)

- ▶ Trigger lines: 7

Stability

- ▶ Recommended warm-up time: 15 minutes
- ▶ On-board calibration reference:
 - ▷ Level: 5.000 V
 - ▷ Temperature coefficient: \pm 2 ppm/ $^{\circ}$ C
 - ▷ Long-term stability: 6 ppm/1000 Hr

Physical

▶ Dimensions:

- ▷ 175mm by 107mm for DAQ-/DAQe-2204/2205/2206/2208
- ▷ Standard CompactPCI form factor for PXI-2204/2205/2206/2208

▶ I/O connector: 68-pin female VHDCI type (e.g. AMP-787254-1)

Power Requirement (typical)

▶ +5 VDC

- ▷ 1.3 A for DAQ-/DAQe-/PXI-2204
- ▷ 1.2 A for DAQ-/DAQe-/PXI-2205/2206
- ▷ 950 mA for DAQ-/DAQe-/PXI-2208

▶ +12 VDC

- ▷ 358 mA for DAQe-2204
- ▷ 344 mA for DAQe-2205
- ▷ 390 mA for DAQe-2206
- ▷ 258 mA for DAQe-2208

▶ +3.3 VDC

- ▷ 815 mA for DAQe-2204
- ▷ 735 mA for DAQe-2205
- ▷ 710 mA for DAQe-2206
- ▷ 815 mA for DAQe-2208

Operating Environment

- ▶ Ambient temperature: 0°C to 55°C
- ▶ Relative humidity: 10% to 90% non-condensing

Storage Environment

- ▶ Ambient temperature: -20°C to 80°C
- ▶ Relative humidity: 5% to 95% non-condensing

1.4 Software Support

ADLINK provides versatile software drivers and packages for users' different approach to building up a system. ADLINK not only provides programming libraries such as DLL for most Windows-based systems, but also provide drivers for other software packages such as LabVIEW®.

All software options are included in the ADLINK CD. Non-free software drivers are protected with licensing codes. Without the software code, you can install and run the demo version for two hours for trial/demonstration purposes. Contact ADLINK dealers to purchase the software license.

Programming Library

For customers who are writing their own programs, we provide function libraries for many different operating systems, including:

- ▶ D2K-DASK: Include device drivers and DLL for Windows® 98/NT/2000/XP. DLL is binary compatible across Windows 98/NT/2000/XP. This means all applications developed with D2K-DASK are compatible across Windows 98/NT/2000/XP. The developing environment can be VB, VC++, Delphi, BC5, or any Windows programming language that allows calls to a DLL. The user's guide and function reference manual of D2K-DASK are in the CD. (\\Manual\\Software Package\\D2K-DASK)
- ▶ D2K-DASK/X: Include device drivers and shared library for Linux. The developing environment can be Gnu C/C++ or any programming language that allows linking to a shared library. The user's guide and function reference manual of D2K-DASK/X are in the CD. (\\Manual\\Software Package\\D2K-DASK-X.)

DAQ-LVIEW PnP: LabVIEW Driver

DAQ-LVIEW PnP contains the VIs, which are used to interface with NI's LabVIEW software package. The DAQ-LVIEW PnP supports Windows 98/NT/2000/XP. The LabVIEW drivers is shipped free with the card. You can install and use them without a license. For detailed information about DAQ-LVIEW PnP, refer to the user's guide in the CD. (\\Manual\Software Package\DAQ-LVIEW PnP)

D2K-OCX: ActiveX Controls

Customers who are familiar with ActiveX controls and VB/VC++ programming are suggested to use D2K-OCX ActiveX control component libraries for developing applications. D2K-OCX is designed for Windows 98/NT/2000/XP. For more details on D2K-OCX, refer to the user's guide in the CD. (\\Manual\Software Package\D2K-OCX)

The above software drivers are shipped with the card. Refer to the Software Installation Guide in the package to install these drivers.

In addition, ADLINK provides the DAQBench ActiveX control software. DAQBench is a collection of ActiveX controls for measurement or automation applications. With DAQBench, you can easily develop custom user interfaces to display your data, analyze data you acquired or received from other sources, or integrate with popular applications or other data sources. For more detailed information about DAQBench, refer to the user's guide in the CD. (\\Manual\Software Package\DAQBench Evaluation)

You can also get a free 4-hour evaluation version of DAQBench from the CD. DAQBench is not free. Contact ADLINK or your dealer to purchase the software license.

2 Installation

This chapter describes how to install the DAQ-/DAQe-/PXI-2204/2205/2206/2208 card. The contents of the package and unpacking information that you should be aware of are outlined first.

The DAQ-/DAQe-/PXI-2204/2205/2206/2208 card performs an automatic configuration of the IRQ and port address. You can use the PCI_SCAN software utility to read the system configuration.

2.1 Contents of Package

In addition to this User's Manual, the package includes the following items:

- ▶ DAQ-/DAQe-/PXI-2016/2010/2006/2005 multi-function data acquisition card
- ▶ ADLINK All-in-one CD
- ▶ Software Installation Guide

If any of these items are missing or damaged, contact the dealer from whom you purchased the product. Save the shipping materials and carton in case you want to ship or store the product in the future.

2.2 Unpacking

Your DAQ-/DAQe-/PXI-2204/2205/2206/2208 card contains electro-static sensitive components that can be easily be damaged by static electricity.

Therefore, the card should be handled on a grounded anti-static mat. The operator should be wearing an anti-static wristband, grounded at the same point as the anti-static mat.

Inspect the card package for obvious damages. Shipping and handling may cause damage to the card. Be sure there are no shipping and handling damages on the modules carton before continuing.

After opening the card module carton, extract the system module and place it only on a grounded anti-static surface with component side up.

Again, inspect the module for damages. Press down on all the socketed IC's to make sure that they are properly seated. Do this only with the module place on a firm flat surface.

You are now ready to install your DAQ-/DAQe-/PXI-2204/2205/2206/2208 card.

NOTE DO NOT APPLY POWER TO THE CARD IF IT HAS BEEN DAMAGED.

2.3 Card Layout

DAQe-2204/2205/2206/2208

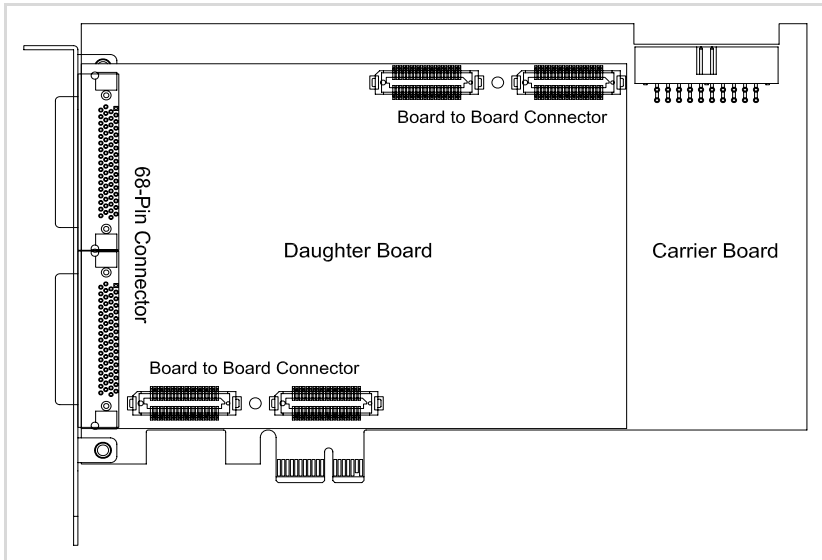


Figure 2-1: DAQe-2204/2205/2206/2208 Card Layout

DAQ-2204/2205/2206/2208

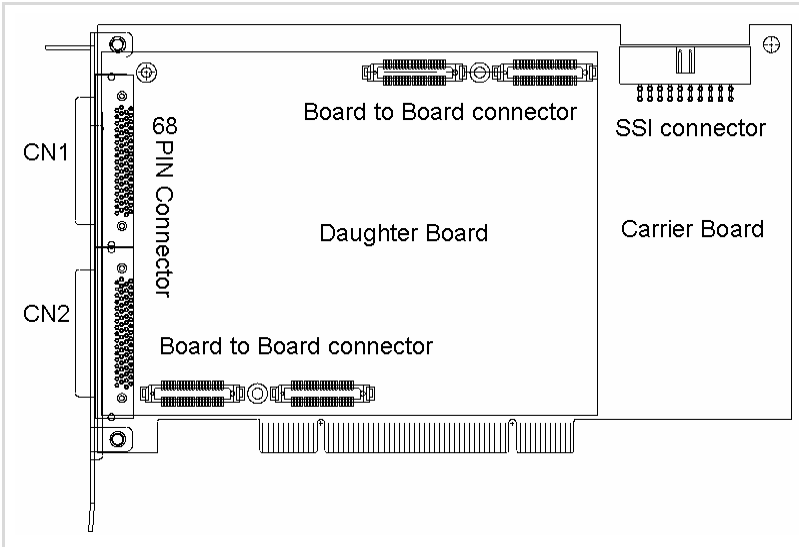


Figure 2-2: DAQ-2204/2205/2206/2208 Card Layout

PXI-2204/2205/2206/2208

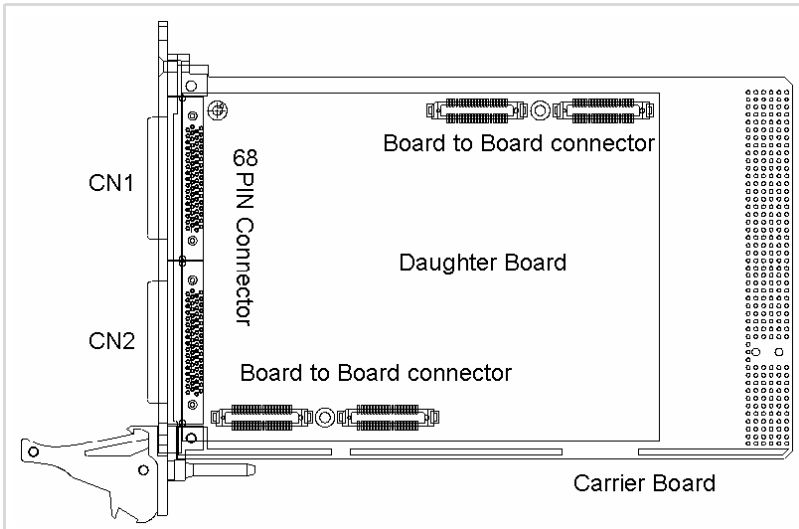


Figure 2-3: PXI-2204/2205/2206/2208 Card Layout

2.4 PCI Configuration

Plug and Play

With support for plug and play, the card requests an interrupt number via its PCI controller. The system BIOS responds with an interrupt assignment based on the card information and on known system parameters. These system parameters are determined by the installed drivers and the hardware load seen by the system.

Configuration

The board configuration is done on a board-by-board basis for all PCI boards in the system. Because configuration is controlled by the system and software, there is no jumper setting required for base address, DMA, and interrupt IRQ.

The configuration is subject to change with every boot of the system as new boards are added or removed.

Troubleshooting

If your system doesn't boot or if you experience erratic operation with your PCI board in place, it is likely caused by an interrupt conflict. The BIOS Setup may be incorrectly configured. Consult the BIOS documentation that comes with your system to solve this problem.

3 Signal Connections

This chapter describes DAQ-/DAQe-/PXI-2204/2205/2206/2208 card connectors and the signal connection between the DAQ-/DAQe-/PXI-2204/2205/2206/2208 card and external devices.

3.1 Connectors Pin Assignment

The DAQ-/DAQe-/PXI-2204/2205/2206/2208 card is equipped with two 68-pin VHDCI-type connector (AMP-787254-1). It is used for digital input/output, analog input/output, timer/counter signals, etc. One 20-pin ribbon male connector is used for SSI (System Synchronous Interface) in DAQ-/DAQe-2204/2205/2206/2208 card. The pin assignments of the connectors are defined in Table 3-1, Table 3-2, Table 3-3, and Table 3-4.

CN1 Connector

AI0 (AIH0)	1	35	(AIL0) AI32
AI1 (AIH1)	2	36	(AIL1) AI33
AI2 (AIH2)	3	37	(AIL2) AI34
AI3 (AIH3)	4	38	(AIL3) AI35
AI4 (AIH4)	5	39	(AIL4) AI36
AI5 (AIH5)	6	40	(AIL5) AI37
AI6 (AIH6)	7	41	(AIL6) AI38
AI7 (AIH7)	8	42	(AIL7) AI39
AI8 (AIH8)	9	43	(AIL8) AI40
AI9 (AIH9)	10	44	(AIL9) AI41
AI10 (AIH10)	11	45	(AIL10) AI42
AI11 (AIH11)	12	46	(AIL11) AI43
AI12 (AIH12)	13	47	(AIL12) AI44
AI13 (AIH13)	14	48	(AIL13) AI45
AI14 (AIH14)	15	49	(AIL14) AI46
AI15 (AIH15)	16	50	(AIL15) AI47
AISENSE	17	51	AIGND
AI16 (AIH16)	18	52	(AIL16) AI48
AI17 (AIH17)	19	53	(AIL17) AI49
AI18 (AIH18)	20	54	(AIL18) AI50
AI19 (AIH19)	21	55	(AIL19) AI51
AI20 (AIH20)	22	56	(AIL20) AI52
AI21 (AIH21)	23	57	(AIL21) AI53
AI22 (AIH22)	24	58	(AIL22) AI54
AI23 (AIH23)	25	59	(AIL23) AI55
AI24 (AIH24)	26	60	(AIL24) AI56
AI25 (AIH25)	27	61	(AIL25) AI57
AI26 (AIH26)	28	62	(AIL26) AI58
AI27 (AIH27)	29	63	(AIL27) AI59
AI28 (AIH28)	30	64	(AIL28) AI60
AI29 (AIH29)	31	65	(AIL29) AI61
AI30 (AIH30)	32	66	(AIL30) AI62
AI31 (AIH31)	33	67	(AIL31) AI63
EXTATRIG	34	68	AIGND

Table 3-1: CN1 Pin Assignment for DAQ-/DAQe-/PXI-2204/2205/2206

* Symbols in “()” are for differential mode connection.

AI0 (AIH0)	1	35	(AIL0) AI48
AI1 (AIH1)	2	36	(AIL1) AI49
AI2 (AIH2)	3	37	(AIL2) AI50
AI3 (AIH3)	4	38	(AIL3) AI51
AI4 (AIH4)	5	39	(AIL4) AI52
AI5 (AIH5)	6	40	(AIL5) AI53
AI6 (AIH6)	7	41	(AIL6) AI54
AI7 (AIH7)	8	42	(AIL7) AI55
AISENSE	9	43	AIGND
AI8 (AIH8)	10	44	(AIL8) AI56
AI9 (AIH9)	11	45	(AIL9) AI57
AI10 (AIH10)	12	46	(AIL10) AI58
AI11 (AIH11)	13	47	(AIL11) AI59
AI12 (AIH12)	14	48	(AIL12) AI60
AI13 (AIH13)	15	49	(AIL13) AI61
AI14 (AIH14)	16	50	(AIL14) AI62
AI15 (AIH15)	17	51	(AIL15) AI63
AI16 (AIH16)	18	52	(AIL16) AI64
AI17 (AIH17)	19	53	(AIL17) AI65
AI18 (AIH18)	20	54	(AIL18) AI66
AI19 (AIH19)	21	55	(AIL19) AI67
AI20 (AIH20)	22	56	(AIL20) AI68
AI21 (AIH21)	23	57	(AIL21) AI69
AI22 (AIH22)	24	58	(AIL22) AI70
AI23 (AIH23)	25	59	(AIL23) AI71
AIGND	26	60	AIGND
AI24 (AIH24)	27	61	(AIL24) AI72
AI25 (AIH25)	28	62	(AIL25) AI73
AI26 (AIH26)	29	63	(AIL26) AI74
AI27 (AIH27)	30	64	(AIL27) AI75
AI28 (AIH28)	31	65	(AIL28) AI76
AI29 (AIH29)	32	66	(AIL29) AI77
AI30 (AIH30)	33	67	(AIL30) AI78
AI31 (AIH31)	34	68	(AIL31) AI79

Table 3-2: CN1 Pin Assignment for DAQ-/DAQe-/PXI-2208

* Symbols in “()” are for differential mode connection.

CN2 Connector

DA0OUT	1	35	AOGND
DA1OUT	2	36	AOGND
AOEXTREF	3	37	AOGND
NC	4	38	NC
DGND	5	39	DGND
EXTWFTRIG	6	40	DGND
EXTDTRIG	7	41	DGND
SSHOUT	8	42	SDI0 / DGND*
RESERVED	9	43	SDI1 / DGND*
RESERVED	10	44	SDI2 / DGND*
AFI1	11	45	SDI3 / DGND*
AFI0	12	46	DGND
GPTC0_SRC	13	47	DGND
GPTC0_GATE	14	48	DGND
GPTC0_UPDOWN	15	49	DGND
GPTC0_OUT	16	50	DGND
GPTC1_SRC	17	51	DGND
GPTC1_GATE	18	52	DGND
GPTC1_UPDOWN	19	53	DGND
GPTC1_OUT	20	54	DGND
EXTTIMEBASE	21	55	DGND
PB7	22	56	PB6
PB5	23	57	PB4
PB3	24	58	PB2
PB1	25	59	PB0
PC7	26	60	PC6
PC5	27	61	PC4
DGND	28	62	DGND
PC3	29	63	PC2
PC1	30	64	PC0
PA7	31	65	PA6
PA5	32	66	PA4
PA3	33	67	PA2
PA1	34	68	PA0

Table 3-3: CN2 Pin Assignment for DAQ-/DAQe-/PXI-2204/2205/2206

*Pin 42~45 are SDI<0.3> for DAQ-/DAQe-/PXI-2204; DGND for DAQ-/DAQe-/PXI-2205/2206

AI32 (AIH32)	1	35	(AIL32) AI80
AI33 (AIH33)	2	36	(AIL33) AI81
AI34 (AIH34)	3	37	(AIL34) AI82
AI35 (AIH35)	4	38	(AIL35) AI83
AI36 (AIH36)	5	39	(AIL36) AI84
AI37 (AIH37)	6	40	(AIL37) AI85
AI38 (AIH38)	7	41	(AIL38) AI86
AI39 (AIH39)	8	42	(AIL39) AI87
EXTATRIG	9	43	AIGND
AI40 (AIH40)	10	44	(AIL40) AI88
AI41 (AIH41)	11	45	(AIL41) AI89
AI42 (AIH42)	12	46	(AIL42) AI90
AI43 (AIH43)	13	47	(AIL43) AI91
AI44 (AIH44)	14	48	(AIL44) AI92
AI45 (AIH45)	15	49	(AIL45) AI93
AI46 (AIH46)	16	50	(AIL46) AI94
AI47 (AIH47)	17	51	(AIL47) AI95
AIGND	18	52	AIGND
NC	19	53	NC
EXTDTRIG	20	54	AFI0
EXTTIMEBASE	21	55	DGND
PB7	22	56	PB6
PB5	23	57	PB4
PB3	24	58	PB2
PB1	25	59	PB0
PC7	26	60	PC6
PC5	27	61	PC4
DGND	28	62	DGND
PC3	29	63	PC2
PC1	30	64	PC0
PA7	31	65	PA6
PA5	32	66	PA4
PA3	33	67	PA2
PA1	34	68	PA0

Table 3-4: CN2 Pin Assignment for DAQ-/DAQe-/PXI-2208

CN1/CN2 Connector Signal Description

Signal Name	Reference	Direction	Description
AIGND	—	—	Analog ground for AI. All three ground references (AIGND, AOGND, and DGND) are connected together on board.
AI<0..63/95>	AIGND	Input	<ul style="list-style-type: none"> For DAQ-/DAQe-/PXI-2204/2205/2206: Analog Input Channels 0~63. Each channel pair, AI<i, i+32> (I=0..31) can be configured either two single-ended inputs or one differential input pair (marked as AIH<0..31> and AIL<0..31>). For DAQ-/DAQe-/PXI-2208: Analog Input Channels 0~95. Each channel pair, AI<i, i+48> (I=0..37) can be configured either two single-ended inputs or one differential input pair (marked as AIH<0..47> and AIL<0..47>).
AISENSE	AIGND	Input	Analog Input Sense. This pin is the reference for any channels AI<0..63> in NRSE input configuration.
EXTATRIG	AIGND	Input	External AI analog trigger
DA0OUT	AOGND	Output	AO channel 0
DA1OUT	AOGND	Output	AO channel 1
AOEXTREF	AOGND	Input	External reference for AO channels
AOGND	—	—	Analog ground for AO
EXTWFTRIG	DGND	Input	External AO waveform trigger
EXTDTRIG	DGND	Input	External AI digital trigger
RESERVED	—	Output	Reserved. Please leave it open

Table 3-5: CN1/CN2 Signal Description

Signal Name	Reference	Direction	Description
SDI<0..3> (for 2204 only)	DGND	Input	Synchronous digital inputs. These 4 digital inputs are sampled simultaneously with the analog signal input.
GPTC<0,1>_SRC	DGND	Input	Source of GPTC<0,1>
GPTC<0,1>_GATE	DGND	Input	Gate of GPTC<0,1>
GPTC<0,1>_OUT	DGND	Input	Output of GPTC<0,1>
GPTC<0,1>_UPDOWN	DGND	Input	Up/Down of GPTC<0,1>
EXTTIMEBASE	DGND	Input	External Timebase
DGND	—	—	Digital ground
PB<7,0>	DGND	PIO*	Programmable DIO of 8255 Port B
PC<7,0>	DGND	PIO*	Programmable DIO of 8255 Port C
PA<7,0>	DGND	PIO*	Programmable DIO of 8255 Port A
AFI0	DGND	Input	Auxiliary Function Input 0 (ADCONV, AD_START)
AFI1	DGND	Input	Auxiliary Function Input 1 (DAWR, DA_START)

Table 3-5: CN1/CN2 Signal Description

SSI Connector

SSI_TIMEBASE	1	2	DGND
SSI_ADCONV	3	4	DGND
SSI_DAWR / RESERVED*	5	6	DGND
SSI_SCAN_START	7	8	DGND
RESERVED	9	10	DGND
SSI_AD_TRIG	11	12	DGND
SSI_DA_TRIG / RESERVED*	13	14	DGND
RESERVED	15	16	DGND
RESERVED	17	18	DGND
RESERVED	19	20	DGND

Table 3-6: SSI Connector Pin Assignment

*Pin 5 and 13 are reserved for DAQ/PXI-2208.

SSI Connector Signal Description:

SSI Timing Signal	Setting	Function
SSI_TIMEBASE	Master	Send the TIMEBASE out
	Slave	Accept the SSI_TIMEBASE to replace the internal TIMEBASE signal.
SSI_ADCONV	Master	Send the ADCONV out
	Slave	Accept the SSI_ADCONV to replace the internal ADCONV signal.
SSI_SCAN_START	Master	Send the SCAN_START out
	Slave	Accept the SSI_SCAN_START to replace the internal SCAN_START signal.
SSI_AD_TRIG	Master	Send the internal AD_TRIG out
	Slave	Accept the SSI_AD_TRIG as the digital trigger signal.
SSI_DAWR	Master	Send the DAWR out.
	Slave	Accept the SSI_DAWR to replace the internal DAWR signal.
SSI_DA_TRIG	Master	Send the DA_TRIG out.
	Slave	Accept the SSI_DA_TRIG as the digital trigger signal.

Table 3-7: SSI Connector Legend

3.2 Analog Input Signal Connection

The DAQ-/DAQe-/PXI-2204/2205/2206/2208 card provides up to 64 single-ended or 32 differential analog input channels. You can fill the Channel Gain Queue to get desired combination of the input signal types. The analog signal can be converted to digital values by the A/D converter. To avoid ground loops and get more accurate measurements from the A/D conversion, it is important to understand the signal source type and how to connect the analog input signals.

Types of signal sources

Floating Signal Sources

A floating signal source means it is not connected in any way to the buildings ground system. A device with an isolated output is a floating signal source, such as optical isolator outputs, transformer outputs, and thermocouples.

Ground-Referenced Signal Sources

A ground-referenced signal means it is connected in some way to the building system. That is, the signal source is already connected to a common ground point with respect to the DAQ-/DAQe-/PXI-2204/2205/2206/2208 card, assuming that the computer is plugged into the same power system. Non-isolated out-puts of instruments and devices that plug into the buildings power system are ground-referenced signal sources.

Input Configurations

Single-Ended Connections

A single-ended connection is used when the analog input signal is referenced to a ground that can be shared with other analog input signals. There are two types of single-ended connections: RSE and NRSE. In RSE configuration, the DAQ-/DAQe-/PXI-2204/2205/2206/2208 card provides the grounding point for the external analog input signals and is suitable for floating signal sources. In the NRSE configuration the board does not provide the grounding point, the external analog input signal provides its own reference grounding point and is suitable for ground-referenced signals.

Referenced Single-ended (RSE) Mode

In referenced single-ended mode, all input signals are connected to the ground provided by the DAQ-/DAQe-/PXI-2204/2205/2206/2208 card. This is suitable for connections with floating signal sources. Figure 3-1 shows an illustration. Note that when more than two floating sources are connected, these sources will be referenced to the same common ground.

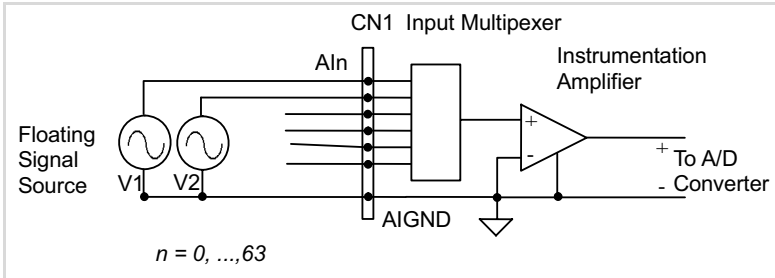


Figure 3-1: Floating Source and RSE Input Connections

Non-Referenced Single-ended (NRSE) Mode

To measure ground-referenced signal sources, which are connected to the same ground point, you can connect the signals in NRSE mode. Figure 3-2 illustrates the connection. The signals local ground reference is connected to the negative input of the instrumentation Amplifier (AISENSE pin on CN1 connector), and the common-mode ground potential between signal ground and the ground on board will be rejected by the instrumentation amplifier.

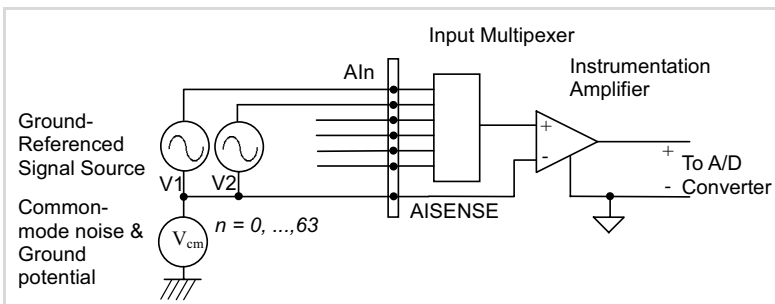


Figure 3-2: Ground-referenced Sources and NRSE Input Connections

Differential Input Mode

The differential input mode provides two inputs that respond to signal voltage difference between them. If the signal source is ground-referenced, the differential mode can be used for the common-mode noise rejection. Figure 3-3 shows the connection of ground-referenced signal sources under differential input mode.

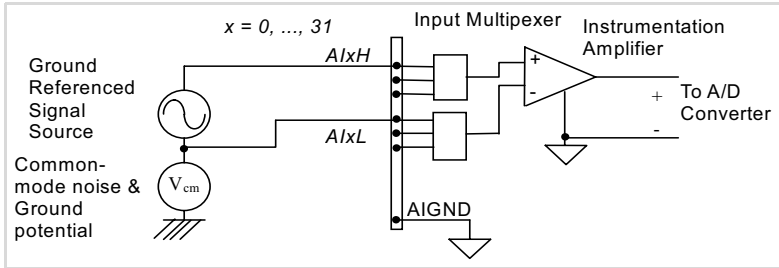


Figure 3-3: Ground-referenced Source and Differential Input

Ground-referenced Source and Differential Input

Figure 3-4 shows how to connect a floating signal source to the DAQ-/DAQe-/PXI-2204/2205/2206/2208 card in differential input mode. For floating signal sources, you need to add a resistor at each channel to provide a bias return path. The resistor value should be about 100 times the equivalent source impedance. If the source impedance is less than 100ohms, you can simply connect the negative side of the signal to AIGND as well as the negative input of the Instrumentation Amplifier without any resistors. In differential input mode, less noise couples into the signal connections than in single-ended mode.

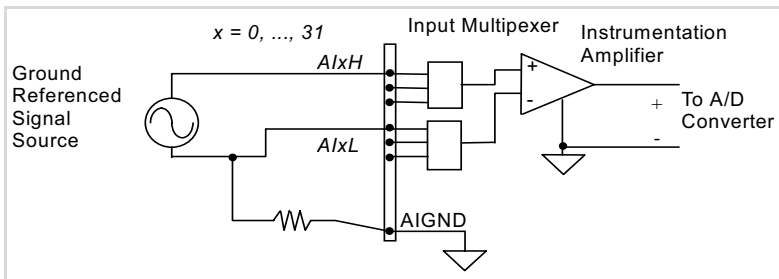


Figure 3-4: Floating Source and Differential Input

4 Operation Theory

The operation theory of the DAQ-/DAQe-/PXI-2204/2205/2206/2208 card functions are described in this chapter. The functions include the A/D conversion, D/A conversion, digital I/O, and general purpose counter/timer. The operation theory can help you understand how to configure and program the DAQ-/DAQe-/PXI-2204/2205/2206/2208 card.

4.1 A/D Conversion

When using an A/D converter, you must know about the properties of the signal to be measured. You may decide which channel to use and how to connect the signals to the card. In addition, users should define and control the A/D signal configurations, including channels, gains, and polarities (unipolar/bipolar).

The A/D acquisition is initiated by a trigger source and you must decide how to trigger the A/D conversion. The data acquisition will start once a trigger condition is matched.

After the end of an A/D conversion, the A/D data is buffered in a Data FIFO. The A/D data can now be transferred into the system memory for further processing.

DAQ-/DAQe-/PXI-2204/2208 AI Data Format

Synchronous Digital Inputs (DAQ-/DAQe-/PXI-2204 only)

When each A/D conversion is completed, the 14-bits converted digital data accompanied with 2 bits of SDI<1..0>_X per channel from J5 will be latched into the 16-bit register and data FIFO as shown in Figure 4-1 and Figure 4-2. Therefore, you can simultaneously sample one analog signal with four digital signals. The data format of every acquired 16-bit data is as follows:

```
D11, D10, D9 ..... D1, D0, b3, b2, b1, b0
Where
D11, D10, D9 ..... D1, D0: 2's complement A/D
12-bit data
b3, b2, b1, b0: Synchronous Digital Inputs
SDI<3..0>
```

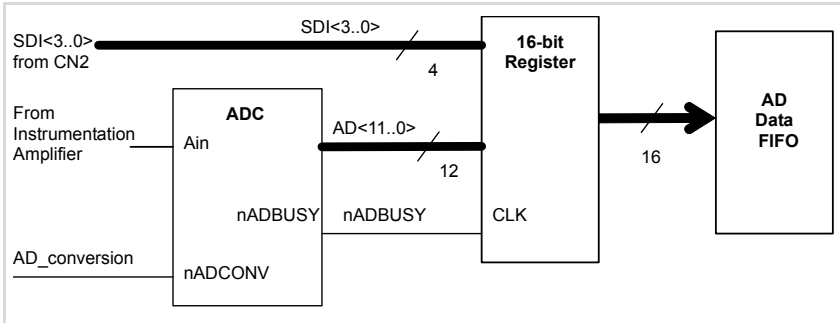


Figure 4-1: Synchronous Digital Inputs Block Diagram

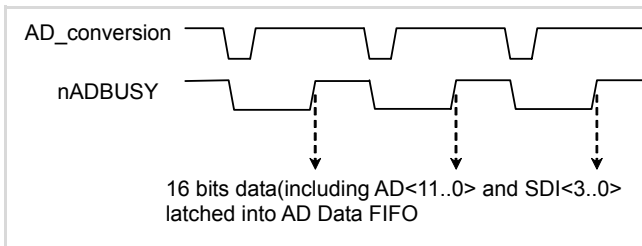


Figure 4-2: Synchronous Digital Inputs Timing

NOTE

Since the analog signal is sampled when an A/D conversion starts (falling edge of A/D_conversion signal), while SDI<3..0> are sampled right after an A/D conversion completes (rising edge of nADBUSHY signal). Precisely SDI<3..0> are sampled with 280ns lag to the analog signal.

Table 4-1 and Table 4-2 illustrate the ideal transfer characteristics of various input ranges of the DAQ-/DAQe-/PXI-2204/2205/2206/2208 card.

Description	Bipolar Analog Input Range				Digital code
Full-scale Range	±10V	±5V	±2.5V	±1.25V	—
Least significant bit	4.88mV	2.44mV	1.22mV	0.61mV	—
FSR-1LSB	9.9951V	4.9976V	2.4988V	1.2494V	7FFX
Midscale +1LSB	4.88mV	2.44mV	1.22mV	0.61mV	001X
Midscale	0V	0V	0V	0V	000X
Midscale -1LSB	-4.88mV	-2.44mV	-1.22mV	-0.61mV	FFFX
-FSR	-10V	-5V	-2.5V	-1.25V	800X

Table 4-1: Bipolar Analog Input Range and Output Digital Code on DAQ/DAQe/PXI-2204/2208

Note that the last 4 digital codes are SDI<3..0> and is supported only on DAQ-/DAQe-/PXI-2204)

Description	Unipolar Analog Input Range			Digital code
Full-scale Range	0V to 10V	0 to +5V	0 to +2.5V	—
Least significant bit	2.44mV	1.22mV	0.61mV	—
FSR-1LSB	9.9976V	4.9988V	2.9994V	7FFX
Midscale +1LSB	5.0024V	2.50122V	1.25061V	001X
Midscale	5V	2.5V	1.25V	000X
Midscale -1LSB	4.9976V	2.4988V	1.2494V	FFFX
-FSR	0V	0V	0V	800X

Table 4-2: Unipolar Analog Input Range and Output Digital Code on DAQ/DAQe/PXI-2204/2208

Note that the last 4 digital codes are SDI<3..0> and is supported only on DAQ-/DAQe-/PXI-2204.

DAQ/DAQe/PXI-2005/2006/2016 AI Data Format

The data format of the acquired 16-bit A/D data is **2's Complement coding**. Table 4-3 and Table 4-4 illustrate the valid input ranges and the ideal transfer characteristics.

Description	Bipolar Analog Input Range				Digital code
	$\pm 10V$	$\pm 5V$	$\pm 2.5V$	$\pm 1.25V$	
Full-scale Range	$\pm 10V$	$\pm 5V$	$\pm 2.5V$	$\pm 1.25V$	—
Least significant bit	305.2 μV	152.6 μV	76.3 μV	38.15 μV	—
FSR-1LSB	9.999695V	4.999847V	2.499924V	1.249962V	7FFF
Midscale +1LSB	305.2 μV	152.6 μV	76.3 μV	38.15 μV	0001
Midscale	0V	0V	0V	0V	0000
Midscale -1LSB	-305.2 μV	-152.6 μV	-76.3 μV	-38.15 μV	FFFF
-FSR	-10V	-5V	-2.5V	-1.25V	8000

Table 4-3: Bipolar Analog Input Range and Output Digital Code for DAQ/DAQe/PXI-2205/2206

Description	Unipolar Analog Input Range				Digital code
	0V to 10V	0 to +5V	0 to +2.5V	0 to +1.25V	
Full-scale Range	0V to 10V	0 to +5V	0 to +2.5V	0 to +1.25V	—
Least significant bit	152.6 μV	76.3 μV	38.15 μV	19.07 μV	—
FSR-1LSB	9.999847V	4.999924V	2.499962V	1.249981V	7FFF
Midscale +1LSB	5.000153V	2.500076V	1.250038V	0.625019V	0001
Midscale	5V	2.5V	1.25V	0.625V	0000
Midscale -1LSB	4.999847V	2.499924V	1.249962V	0.624981V	FFFF

Table 4-4: Unipolar Analog Input Range and Output Digital Code for DAQ/DAQe/PXI-2205/2206

Software Conversion with Polling Data Transfer Acquisition Mode (Software Polling)

This is the easiest way to acquire a single A/D data. The A/D converter starts one conversion whenever the dedicated software command is executed. Then the software would poll the conversion status and read the A/D data back when it is available.

This method is very suitable for applications that needs to process A/D data in real time. Under this mode, the timing of the A/D conversion is fully controlled by the software. However, it is difficult to control the A/D conversion rate.

Specifying Channel, Gain, and Input Configurations in the Channel Gain Queue

In Software Polling and Programmable Scan Acquisition mode, the channel, gain, polarity, and input configuration (RSE, NRSE, or DIFF) can be specified in the Channel Gain Queue. You can fill the channel number in the Channel Gain Queue in any order. The channel order of acquisition will be the same as the order you set in the Channel Gain Queue. Therefore, you can acquire data with user-defined channel orders and with different settings on each channel.

When the specified channels have been sampled from the first data to the last data in the Channel Gain Queue, the settings in Channel Gain Queue are maintained. You do not need to re-configure the Channel Gain Queue if you want to keep on sampling data in the same order. The maximum number of entries you can set in the Channel Gain Queue is 512.

Example:

First you can set entries in Channel Gain Queue:

- ▶ Ch3 with bipolar $\pm 10V$, RSE connection
- ▶ Ch1 with bipolar $\pm 2.5V$, DIFF connection
- ▶ Ch2 with unipolar 5V, NRSE connection
- ▶ Ch1 with bipolar $\pm 2.5V$, DIFF connection

If you read 10 data by software polling method, then the acquisition sequence of channels is 3, 1, 2, 1, 3, 1, 2, 1, 3, 1.

Programmable Scan Acquisition Mode

Scan Timing and Procedure

It is recommended that you use this mode if your applications need a fixed and precise A/D sampling rate. You can accurately program the period between conversions of individual channels. There are at least four counters which need to be specified:

- ▶ **SI_counter (24-bit):** Specify the Scan Interval = $SI_counter / \text{Timebase}$
- ▶ **SI2_counter (16-bit):** Specify the data Sampling Interval = $SI2_counter / \text{Timebase}$
- ▶ **PSC_counter (24-bit):** Specify Post Scan Counts after a trigger event
- ▶ **NumChan_counter (9-bit):** Specify the number of samples per scan

The acquisition timing and the meanings of the 2 counters are illustrated in Figure 4-3.

TIMEBASE Clock Source

In scan acquisition mode, all the A/D conversions start on the output of counters, which use TIMEBASE as the clock source. By software you can specify the TIMEBASE to be either an internal clock source (onboard 40 MHz clock) or an external clock input (EXTTIMEBASE) on CN2 connector. The external TIMEBASE is useful when you want to acquire data at rates not available with the internal A/D sample clock. The external clock source should generate TTL-compatible continuous clocks and with a maximum frequency of 40 MHz while the minimum should be 1 MHz. Refer to section 4.6 for information on user-controllable timing signals.

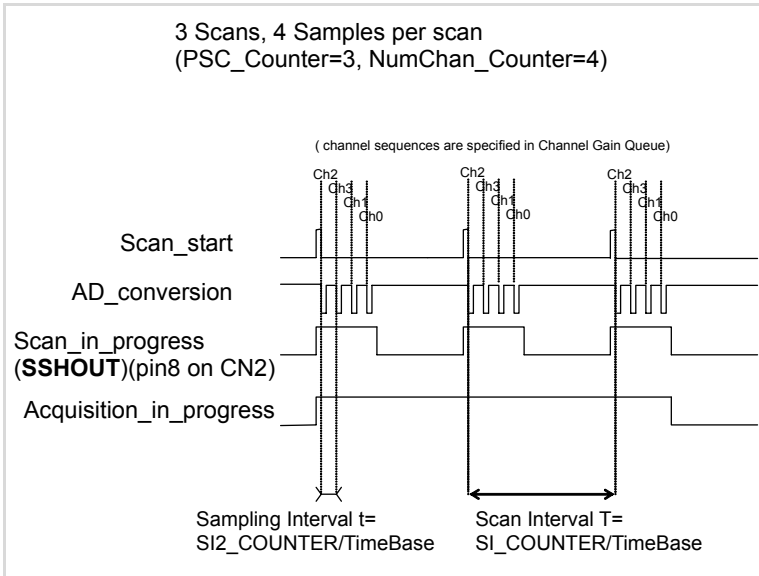


Figure 4-3: Scan Timing

There are four trigger modes to start the scan acquisition. Refer to section 4.1 for details. The data transfer mode is discussed in the following section.

NOTES The maximum A/D sampling rate is 3 MHz for DAQ/DAQe/PXI-2204/2208, 500 kHz for DAQ/DAQe/PXI-2205, and 250 kHz for DAQ/DAQe/PXI-2206. Therefore, the minimum setting of SI2_counter is 14 for DAQ/DAQe/PXI-2204/2208, 80 for DAQ/DAQe/PXI-2205, and 160 for DAQ/DAQe/PXI-2206 while using the internal TIMEBASE.

The SI_counter is a 24-bit counter and the SI2_counter is a 16-bit counter. The maximum scan interval using the internal Timebase = $224/40 \text{ Ms} = 0.419 \text{ s}$, and the maximum sampling interval between two channels using the internal Timebase = $216/40 \text{ Ms} = 1.638 \text{ ms}$.

The scan interval may not be smaller than the product of the data sampling interval and the NumChan_counter value. The relationship can be represented as:
 $\text{SI_counter} \geq \text{SI2_counter} * \text{NumChan_counter}$.

Scan with SSH

You can send the SSHOUT signal on CN2 to external S&H circuits to sample and hold all signals if you want to simultaneously sample all channels in a scan, as illustrated in Figure 4-3.

NOTES The DAQ-/DAQe-/PXI-2208 does not support this function.

The SSHOUT signal is sent to external S&H circuits to hold the analog signal. You must implement external S&H circuits on their own to carry out the S&H function. There are no onboard S&H circuits.

Specifying Channels, Gains, and Input Configurations in the Channel Gain Queue

Like software polling acquisition mode, the channel, gain, and input configurations can be specified in the Channel Gain Queue under the scan acquisition mode. Note that in scan acquisition mode, the number of entries in the Channel Gain Queue is normally equivalent to the value of NumChan_counter (that is, the number of samples per scan).

Example: Set

- ▶ SI2_counter = 160
- ▶ SI_counter = 640
- ▶ PSC_counter = 3
- ▶ NumChan_counter = 4
- ▶ Timebase = Internal clock source
- ▶ Channel entries in the Channel Gain Queue: ch1, ch2, ch0, ch2

Then

- ▶ Acquisition sequence of channels: 1, 2, 0, 2, 1, 2, 0, 2, 1, 2, 0, 2
- ▶ Sampling interval: $160/40 \text{ Ms} = 4 \mu\text{s}$
- ▶ Scan interval: $640/40 \text{ Ms} = 16 \mu\text{s}$
- ▶ Equivalent sampling rate of ch0, ch1: 62.5 kHz
- ▶ Equivalent sampling rate of ch2: 125 kHz

Trigger Modes

The DAQ-/DAQe-/PXI-2204/2205/2206/2208 card provides four trigger sources (internal software trigger, external analog trigger, and digital trigger sources, and SSI trigger signals). You must select one of them as the source of the trigger event. A trigger event occurs when the specified condition is detected on the selected trigger source. For example, a rising edge on the external digital trigger input. Refer to section 4.6 for more information on SSI signals.

There are four trigger modes (pre-trigger, post-trigger, middle-trigger, and delay-trigger) working with the four trigger sources to initiate different scan data acquisition timing when a trigger event occurs. They are described in the following sections. For information on trigger sources, refer to section 4.5.

Pre-Trigger Acquisition

Use pre-trigger acquisition in applications where you want to collect data before a trigger event. The A/D starts to sample when you execute the specified function calls to begin the pre-trigger operation, and it stops when the trigger event occurs. Users must program the value M in $M_counter$ (16 bits) to specify the amount of the stored scans before the trigger event. If an external trigger occurs, the program only stores the last M scans of data converted before the trigger event, as illustrated in Figure 4-4, where $M_counter = M = 3$, $PSC_counter = 0$. The post scan count is 0 because there is no sampling after the trigger event in pre-trigger acquisition. The total stored amount of data = Number of enabled channels * $M_counter$.

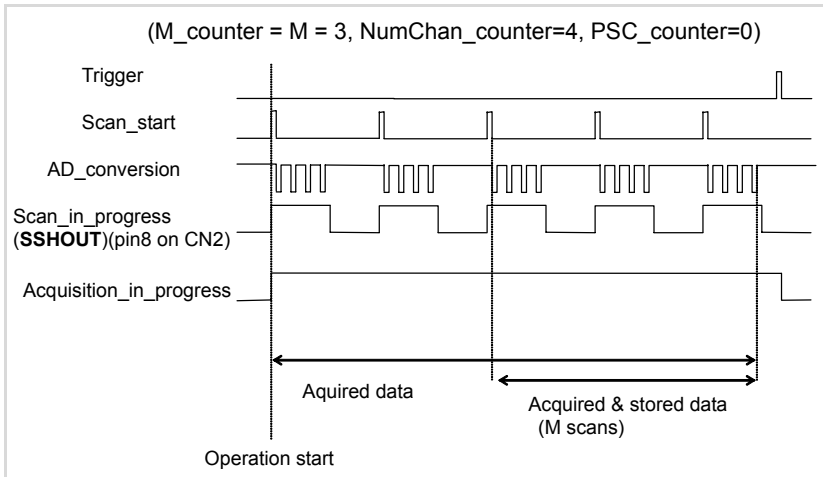


Figure 4-4: Pre-trigger (Trigger occurs after M scans)

Note that if a trigger event occurs when a scan is in progress, the data acquisition won't stop until the scan completes, and the stored M scans of data includes the last scan. Therefore, the first stored data will always be the first channel entry of a scan (that is, the first channel entry in the Channel Gain Queue if the number of entries in the Channel Gain Queue is equivalent to the value of NumChan_counter), no matter when a trigger signal occurs, as illustrated in Figure 16, where M_counter = M = 3, NumChan_counter = 4, PSC_counter = 0.

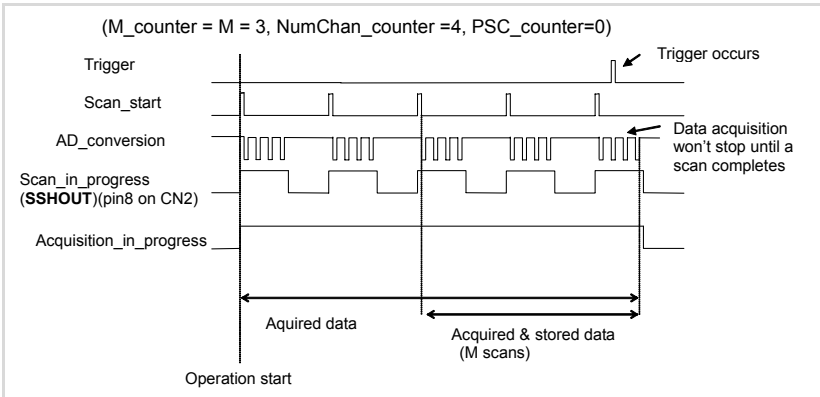


Figure 4-5: Pre-trigger (Trigger with scan in progress)

When the trigger signal occurs before the first M scans of data are converted, the amount of stored data could be fewer than the originally specified amount M_counter, as illustrated in Figure 4-6. This situation can be avoided by setting M_enable. If M_enable is set to 1, the trigger signal will be ignored until the first M scans of data are converted, and it assures the user M scans of data under pre-trigger mode, as illustrated in Figure 4-7. However, if M_enable is set to 0, the trigger signal will be accepted any time, as shown in Figure 4-6. Note that the total amount of stored data will always be equal to the number in the M_counter because data acquisition does not stop until a scan is completed.

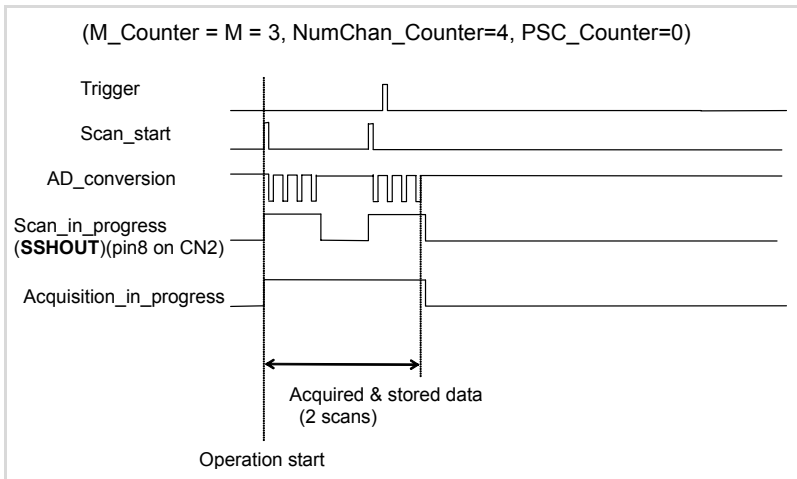


Figure 4-6: Pre-trigger with M_enable=0 (Trigger occurs before M scans)

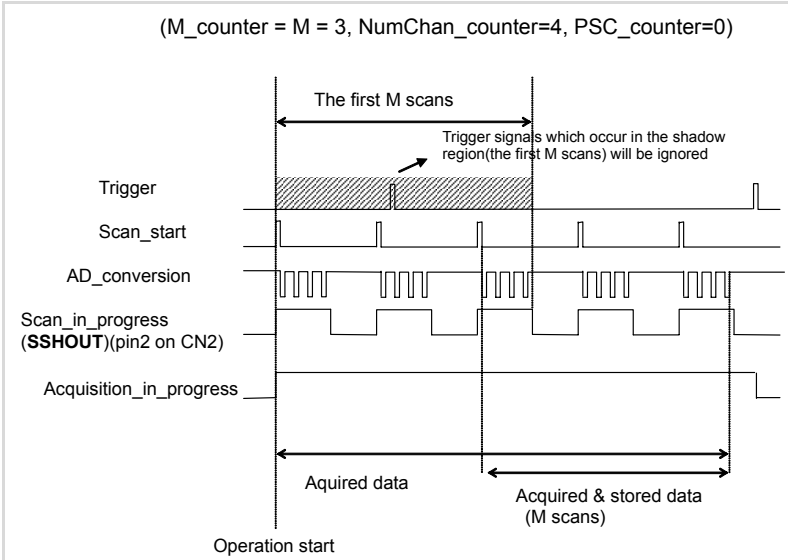


Figure 4-7: Pre-trigger with M_enable=1

NOTE The PSC_counter is set to 0 in pre-trigger acquisition mode.

Middle-Trigger Acquisition

Use middle-trigger acquisition in applications where you want to collect data before and after a trigger event. The number of scans (M) stored before the trigger is specified in $M_counter$, while the number of scans (N) after the trigger is specified in $PSC_counter$.

Like pre-trigger mode, the number of stored data could be less than the specified amount of data ($M+N$), if an external trigger occurs before M scans of data are converted. The M_enable bit in middle-trigger mode takes the same effect as in pre-trigger mode. If M_enable is set to 1, the trigger signal will be ignored until the first M scans of data are converted, and it assures the user with ($M+N$) scans of data under middle-trigger mode. However, if M_enable is set to 0, the trigger signal will be accepted at any time. Figure 4-8 shows the acquisition timing with $M_enable=1$.

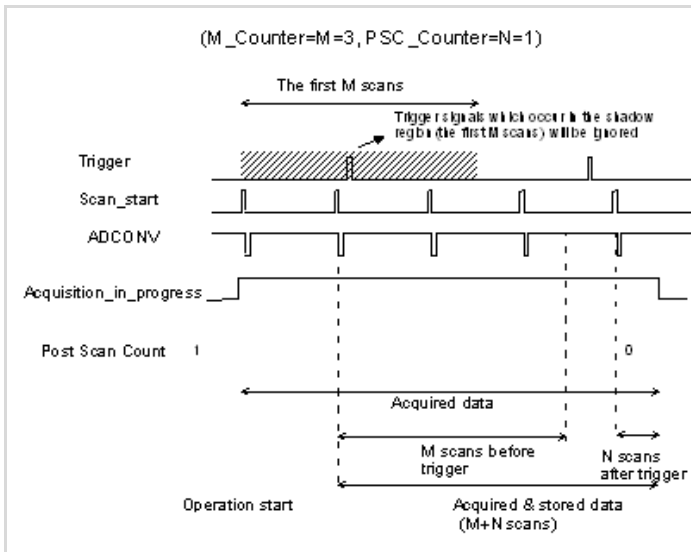


Figure 4-8: Middle-Trigger with $M_enable = 1$

If the trigger event occurs when a scan is in progress, the stored N scans of data would include this scan, as illustrated in Figure 4-9.

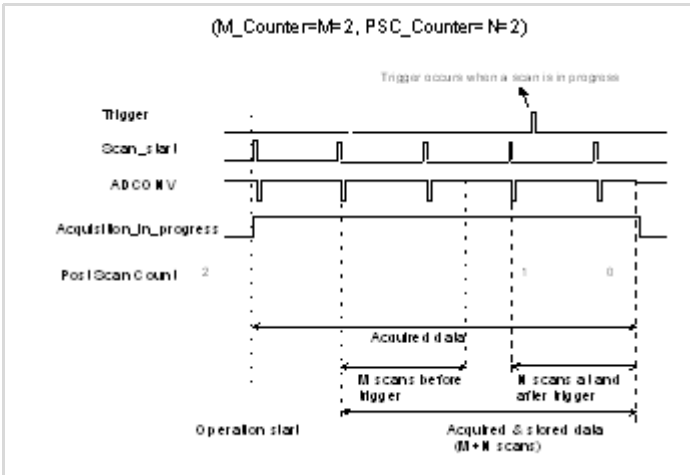


Figure 4-9: Middle-Trigger (Trigger occurs when a scan is in progress)

Post-Trigger Acquisition

Use post-trigger acquisition in applications where you want to collect data after a trigger event. The number of scans after the trigger is specified in PSC_counter, as illustrated in Figure 4-10. The total acquired data length = NumChan_counter * PSC_counter.

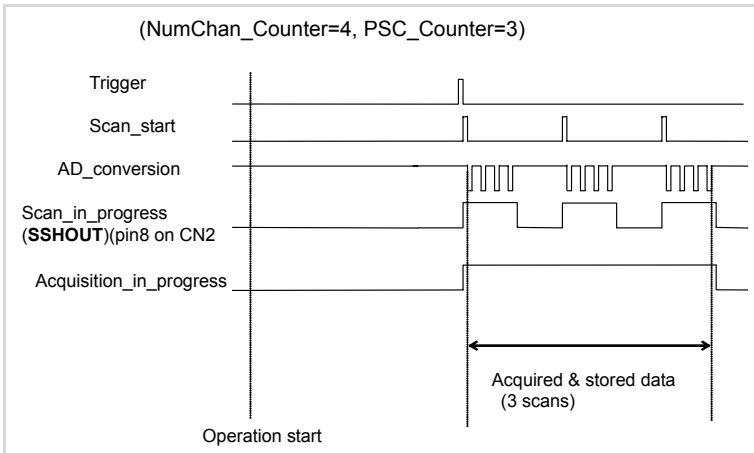


Figure 4-10: Post-trigger

Delay Trigger Acquisition

Use delay trigger acquisition in applications where you want to delay the data collection after the occurrence of a specified trigger event. The delay time is controlled by the value, which is pre-loaded in the Delay_counter (16-bit). The counter counts down on the rising edge of the Delay_counter clock source after the trigger condition is met. The clock source can be software-programmed either by the TIMEBASE clock (40 MHz) or A/D sampling clock (TIMEBASE / SI2_counter). When the count reaches 0, the counter stops and the card starts to acquire data. The total acquired data length = NumChan_counter * PSC_counter.

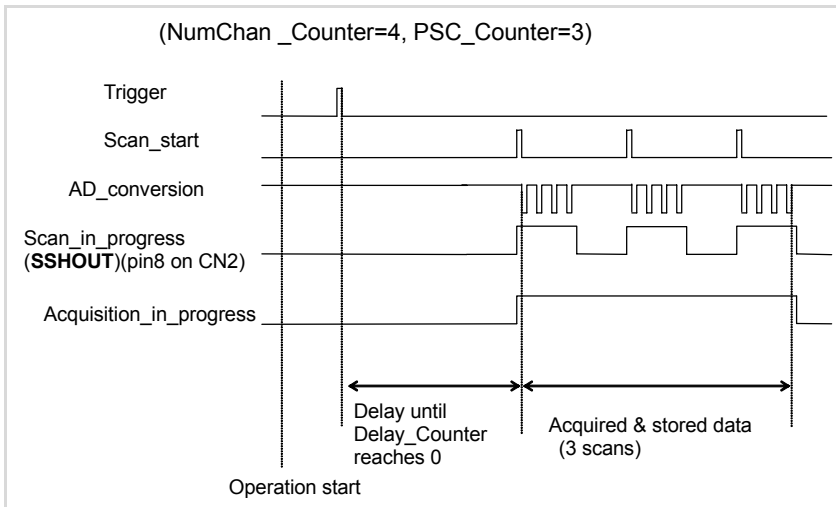


Figure 4-11: Delay trigger

NOTE

When the Delay_counter clock source is set to TIMEBASE, the maximum delay time is $2^{16}/40$ Ms or 1.638 ms. When the source is set to A/D sampling clock, the maximum delay time may be higher than $2^{16} * SI2_counter / 40M$.

Post-Trigger or Delay-trigger Acquisition with re-trigger

Use post-trigger or delay-trigger acquisition with re-trigger function in applications where you want to collect data after several trigger events. The number of scans after each trigger is specified in PSC_counter, and users could program Retrig_no to specify the re-trigger numbers. Figure 4-12 illustrates an example. In this example, two scans of data is acquired after the first trigger signal, then the card waits for the re-trigger signal (re-trigger signals which occur before the first two scans is completed will be ignored). When the re-trigger signal occurs, two more scans are performed. The process repeats until specified amount of re-trigger signals are detected. The total acquired data length = NumChan_counter * PSC_counter * Re-trig_no.

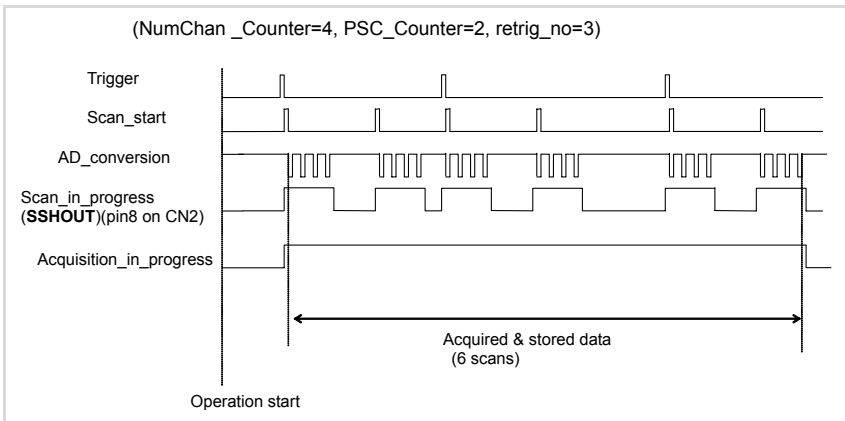


Figure 4-12: Post trigger with Re-trigger

Bus-mastering DMA Data Transfer

PCI bus-mastering DMA is necessary for high speed DAQ in order to utilize the maximum PCI bandwidth. The bus-mastering controller, which is built in the PLX IOP-480 PCI controller, controls the PCI bus when it becomes the master of the bus. Bus mastering reduces the size of the on-board memory and reduces the CPU loading because data is directly transferred to the computer's memory without host CPU intervention.

Bus-mastering DMA provides the fastest data transfer rate on PCI-bus. Once the analog input operation starts, control returns to your program. The hardware temporarily stores the acquired data in the onboard AD Data FIFO and then transfers the data to a user-defined DMA buffer memory in the computer. Note that even when the acquired data length is less than the Data FIFO, the AD data is not kept in the Data FIFO but directly transferred into host memory by the bus-mastering DMA.

The DMA transfer mode is complicated to program. We recommend using a high-level program library to configure this card. If users would like to know more about software programs that can handle the DMA bus master data transfer, visit to <http://www.plx-tech.com> for more information on PCI controllers.

By using a high-level programming library for high speed DMA data acquisition, you simply need to assign the sampling period and the number of conversion into your specified counters. After the AD trigger condition is matched, the data is transferred to the system memory by the bus-mastering DMA.

The PCI controller also supports the function of scatter/gather bus mastering DMA, which helps you transfer large amounts of data by linking all the memory blocks into a continuous linked list.

In a multi-user or multi-tasking OS, like Windows, Linux, etc, it is difficult to allocate a large continuous memory block to do the DMA transfer. Therefore, the PLX IOP-480 provides the function of scatter/gather or chaining mode DMA to link the non-continuous memory blocks into a linked list so that you can transfer very large amounts of data without being limited by the fragment of small size memory. You can configure the linked list for the input DMA channel or the output DMA channel.

Figure 4-13 shows a linked list that is constructed by three DMA descriptors. Each descriptor contains a PCI address, a local address, a transfer size, and the pointer to the next descriptor. You can allocate many small size memory blocks and chain their associative DMA descriptors altogether by their application programs. The DAQ-/DAQe-/PXI-2204/2205/2206/2208 card software driver provides simple settings for the scatter/gather function, including some sample programs in the ADLINK All-in-One CD.

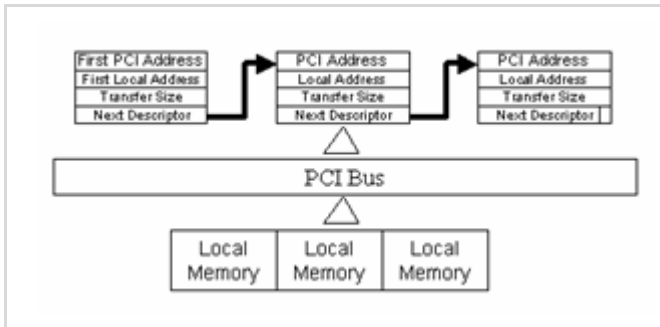


Figure 4-13: Scatter/gather DMA for Data Transfer

In non-chaining mode, the maximum DMA data transfer size is 2 M double words (8M bytes). However, there is no limitation on the DMA data transfer size when using scatter/gather chaining mode. You can also link the descriptor nodes circularly to achieve a multi-buffered mode DMA.

4.2 D/A Conversion

NOTE The DAQ-/DAQe-/PXI-2208 card does not support this function.

There are two 12-bit D/A output channels available in the DAQ-/DAQe-/PXI-2204/2205/2206 card. When using D/A converters, you should assign and control the D/A converter reference sources for the D/A operation mode and D/A channels. You could also set the output polarity to unipolar or bipolar.

The reference selection control lets you utilize in full the multiplying characteristics of the D/A converters. Internal 10V reference and external reference inputs are available in the DAQ-/DAQe-/PXI-2204/2205/2206 card. The range of the D/A output is directly related to the reference. The digital codes that are updated to the D/A converters will multiply with the reference to generate the analog output. While using internal 10V reference, the full range would be -10V to $+9.9951\text{V}$ in the bipolar output mode, and 0V to 9.9976V in the unipolar output mode. While using an external reference, you can reach different output ranges by connecting different references. For example, if connecting a DC -5V with the external reference, then you can get a full range from -4.9976V to $+5\text{V}$ in the bipolar output with inverting characteristics due to the negative reference voltage. You could also have an amplitude modulated (AM) output by feeding a sinusoidal signal into the reference input. The range of the external reference should be within $\pm 10\text{V}$. Table 4-5 and Table 4-6 illustrates the relationship between digital code and output voltages with $V_{\text{ref}}=10\text{V}$ and if internal reference is selected.

Digital Code	Analog Output
111111111111	$V_{\text{ref}} * (2047/2048)$
100000000001	$V_{\text{ref}} * (1/2048)$
100000000000	0V
011111111111	$-V_{\text{ref}} * (1/2048)$
000000000000	$-V_{\text{ref}}$

Table 4-5: Bipolar Output Code Table

Digital Code	Analog Output
111111111111	$V_{ref} * (4095/4096)$
100000000000	$V_{ref} * (2048/4096)$
000000000001	$V_{ref} * (1/4096)$
000000000000	0V

Table 4-6: Unipolar Output Code Table

The D/A conversion is initiated by a trigger source. You must decide how to trigger the D/A conversion. The data output will start when a trigger condition is met. Before the start of D/A conversion, D/A data is transferred from the computer's main memory to a buffering Data FIFO.

Two D/A conversion modes are available: Software Update and Timed Waveform Generation. These are described below, including the timing, trigger source control, trigger modes, and data transfer methods. Either mode may be applied to D/A channels independently. You can simultaneously software update DA CH0 while generating timed waveforms on CH1.

Software Update

This is the easiest way to generate D/A output. To do this:

1. Specify the D/A output channels.
2. Set output polarity (unipolar or bipolar) and reference source (internal 10V or external AOEXTREF).
3. Update the digital values into D/A data registers through a software output command.

Timed Waveform Generation

This mode can provide your applications with a precise D/A output with a fixed update rate. It can be used to generate an infinite or finite waveform. You can accurately program the update period of the D/A converters.

The D/A output timing is provided through a combination of counters in the FPGA on board. There are a total of five counters to be specified. These counters include:

- ▶ UI_counter (24 bits): specify the DA update interval is equal to CHUI_counter/TIMEBASE
- ▶ UC_counter (24 bits): specify the total update counts in a single waveform
- ▶ IC_counter (24 bits): specify the iteration counts of waveform
- ▶ DA_DLY1_counter (16 bits): specify the delay from the trigger to the first update start
- ▶ DA_DLY2_counter (16 bits): specify the delay between two consecutive waveform generations

Figure 4-14 shows a typical D/A timing diagram assuming the data in the data buffer are 2V, 4V, -4V, 0V. D/A updates its output on each rising edge of DAWR. The meaning of the counters enumerated above are discussed in the following sections.

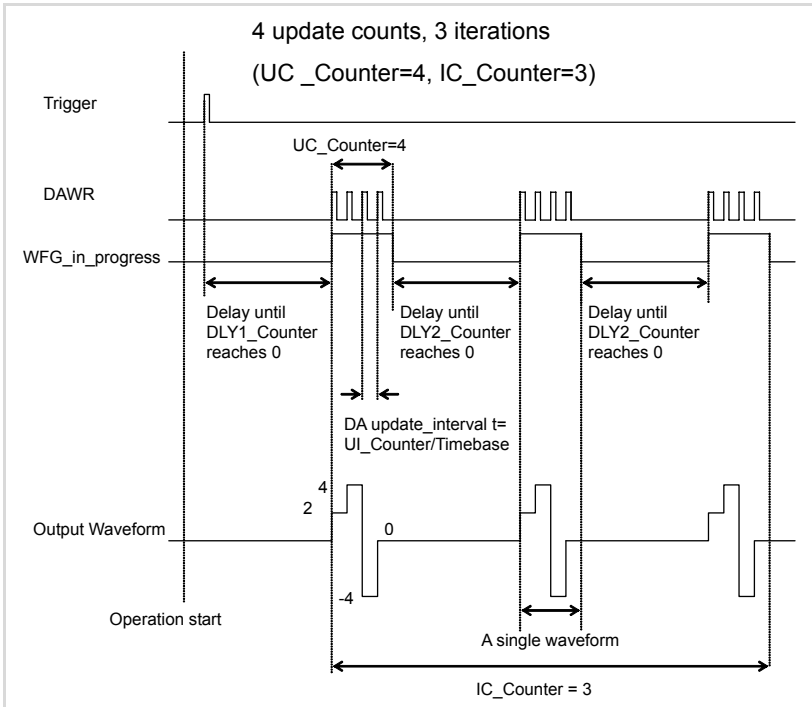


Figure 4-14: Typical D/A Timing of Waveform Generation

NOTE The maximum D/A update rate is 1 MHz. Therefore, the minimum setting of the UI_counter is 40 while using an internal TIMEBASE (40 MHz).

Trigger Modes

Post-Trigger Generation

Use post-trigger when you want to perform DA waveform right after a trigger event occurs. In this trigger mode DLY1_Counter is ignored and not be specified. Figure 4-15 shows a single waveform generated right after a trigger signal is detected and assuming the data in the data buffer are 2V, 4V, 6V, 3V, 0V, -4V, -2V, and 4V. The trigger signal could come from a software command, an analog trigger or a digital trigger. Refer to section 4.5 for detailed information.

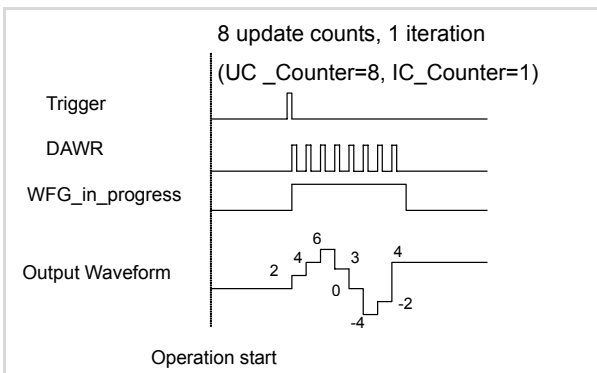


Figure 4-15: Post Trigger Waveform Generation

Delay-Trigger Generation

Use delay trigger when you want to delay the waveform generation after a trigger event. In Table 4-16, DA_DLY1_counter determines the delay time from the trigger signal to the start of the waveform generation, assuming the data in the data buffer are 2V, 4V, 6V, 3V, 0V, -4V, -2V, and 4V. DLY1_counter counts down on the rising edge of its clock source after the trigger condition is met. When the count reaches 0, the counter stops and the DAQ-/DAQe-/PXI-2204/2205/2206/2208 card starts the waveform generation. This DLY1_Counter is 16-bit wide and you can set the delay time in units of TIMEBASE (delay time = DLY1_Counter/TIMEBASE) or in units of update period (delay time = DLY1_Counter * UI_counter/TIMEBASE), so the delay time can reach a wider range.

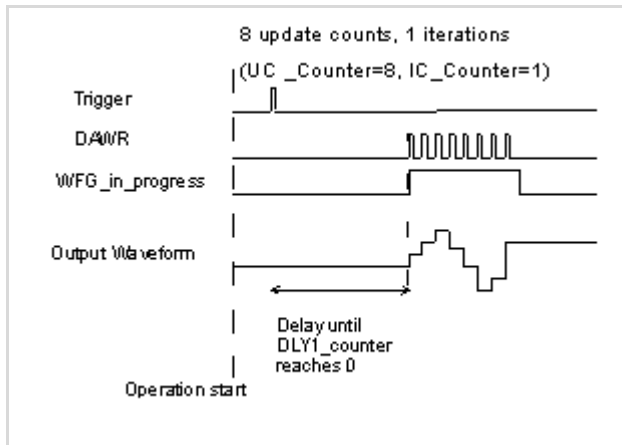


Figure 4-16: Delay Trigger Waveform Generation

Post-Trigger or Delay-Trigger with Re-trigger

Use post-trigger or delay-trigger with re-trigger function when you want to generate waveform after more than one trigger events. The re-trigger function can be enabled or disabled by software setting. In Figure 4-17, each trigger signal will initiate a waveform generation assuming the data in the data buffer are 2V, 4V, 2V, and 0V. However, the trigger event would be ignored while the waveform generation is ongoing.

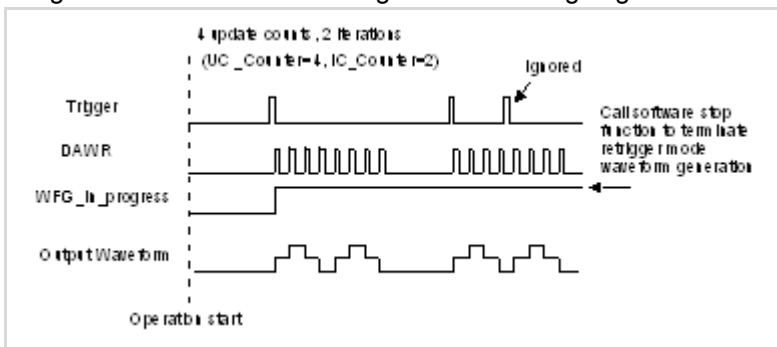


Figure 4-17: Re-triggered Waveform Generation with Post-Trigger (DLY2_Counter=0)

Iterative Waveform Generation

Set IC_Counter in order to generate iterative waveforms from the data of a single waveform. The counter stores the iteration number and the iterations may be finite (Figure 4-18) or infinite (Figure 4-19). Take note that in infinite mode the waveform generation does not stop until software stop function is executed and IC_Counter is still valid when stop mode III is selected. Both figures assume that the data in the data buffer are 2V, 4V, 2V, and 0V.

An onboard data FIFO is used to buffer the digital data for DA output. If the data size of a single waveform you specified (That is, Update Counts in UC_counter) is less than the FIFO size, after initially transferring the data from the host PC memory to the FIFO on board, the data in the FIFO will be automatically re-transmitted whenever a single waveform is completed. Therefore, it does not occupy the PCI bandwidth when repetitive waveforms are performed. However, if the size of a single waveform were larger than that of the FIFO, it needs to be intermittently loaded from the host PC's memory via DMA, when a repetitive waveforms is performed thus PCI bandwidth would be occupied.

The data FIFO size on the DAQ-/DAQe-/PXI-2204/2205/2206/2208 card is 1024 (words) when one DA channel is enabled, or 512 (words) when both DA channels are enabled.

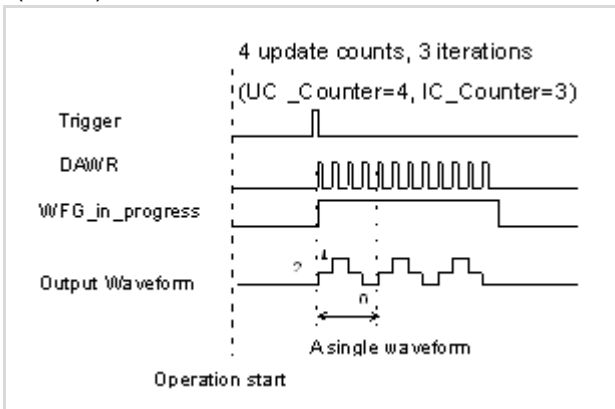


Figure 4-18: Finite Iterative Waveform Generation with Post-trigger (DLY2_Counter = 0)

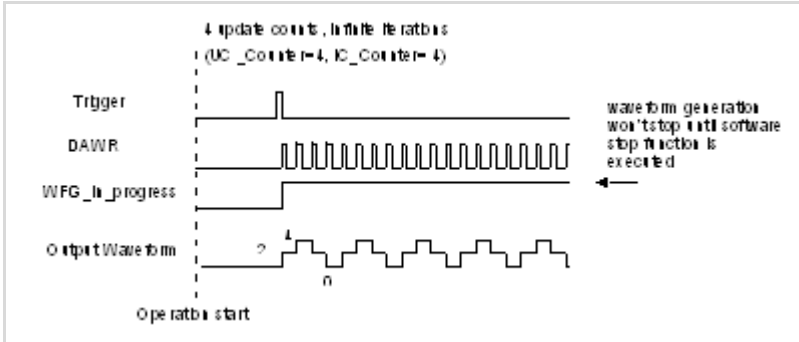


Figure 4-19: Infinite Iterative Waveform Generation with Post-trigger (DLY2_Counter = 0)

Delay2 in Iterative Waveform Generation

To stretch out the flexibility of the D/A waveform generation, we add a DLY2_Counter to separate two consecutive waveforms in iterative waveform generation. The time between two waveforms is assigned by setting the value of the DLY2_Counter. The DLY2_Counter starts to count down after a waveform generation finishes and the next waveform generation starts right after it counts down to zero, as shown in Figure 4-20. This DLY2_Counter is 16-bit wide and you may set the delay time in unit of TIMEBASE (delay time = $DLY2_Counter / TIMEBASE$) or in unit of update period (delay time = $DLY2_Counter * UI_Counter / TIMEBASE$), so the delay time can reach a wider range.

Stop Modes of Scan Update

You can call software stop function to stop waveform generation when it is still in progress. Three stop modes are provided for timed waveform generation meant to stop the waveform generation. You can apply these three modes to stop waveform generation no matter infinite or finite waveform generation mode is selected.

Figure 4-20 illustrates an example for stop mode I, assuming the data in the data buffer are 2V, 4V, 2V, and 0V. In this mode, the waveform stops immediately when software command is asserted.

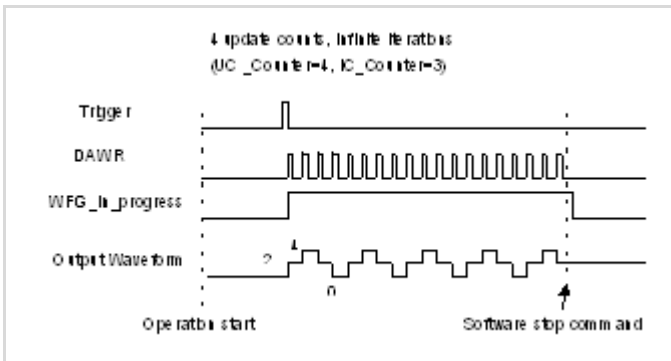


Figure 4-20: Stop Mode I

In stop mode II, after a software stop command is given, the waveform generation does not stop until a complete single waveform is finished. See Figure 4-21. Since the UC_counter is set to four, the total DA update counts (number of pulses of DAWR signal) must be a multiple of four (update counts = 20 in this example).

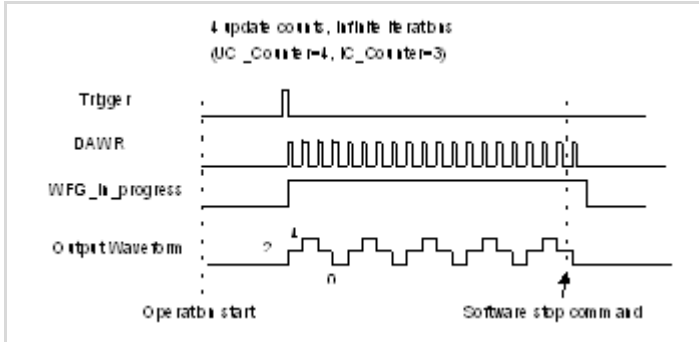


Figure 4-21: Stop Mode II

In stop mode III, after a software stop command is given, the waveform generation does not stop until the performed number of waveforms is a multiple of the IC_Counter. See Figure 4-22. Since the IC_Counter is set to three, the total generated waveforms must be a multiple of three (waveforms = 6 in this example), and the total DA update counts must be a multiple of 12 (UC_counter * IC_Counter). You can compare these three figures to see the differences.

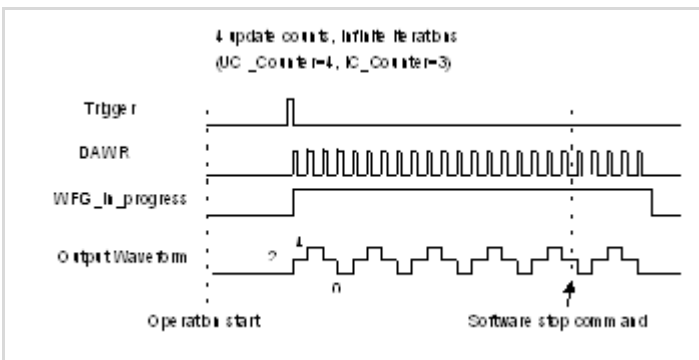


Figure 4-22: Stop Mode III

4.3 Digital I/O

The DAQ-/DAQe-/PXI-2204/2205/2206/2208 card contains 24 lines of general-purpose digital I/O (GPIO) which is provided through the 82C55A chip.

The 24-line GPIO are separated into three ports: Port A, Port B and Port C. Port A and Port B can be programmed to be either input or output ports. Port C can be separated into high bit (PC4-PC7) and low bit (PC0-PC3), and both high bit and low bit ports can be programmed for input or output. Upon system startup or reset, all the GPIO pins are reset to high impedance inputs.

The DAQ/DAQe/PXI-2010 also provides two digital inputs per channel (SDI from CN2), which are sampled simultaneously with an analog signal input and is stored with the 12-bit AD data. Refer to Figure 4.1 for the more details.

4.4 General Purpose Timer/Counter Operation

NOTE The DAQ-/DAQe-/PXI-2208 card does not support this function.

Two independent 16-bit up/down timer/counter are designed within FPGA for various applications. They have the following features:

- ▶ Count up/down controlled by hardware or software
- ▶ Programmable counter clock source (internal or external clock up to 10 MHz)
- ▶ Programmable gate selection (hardware or software control)
- ▶ Programmable input and output signal polarities (high active or low active)
- ▶ Initial count can be loaded from software
- ▶ Current count value can be read-back by software without affecting circuit operation

The Basics of Timer/Counter Functions

Each timer/counter has three inputs that can be controlled via hardware or software. These are clock input (GPTC_CLK), gate input (GPTC_GATE), and up/down control input (GPTC_UPDOWN). The GPTC_CLK input provides a clock source input to the timer/counter. Active edges on the GPTC_CLK input make the counter increment or decrement. The GPTC_UPDOWN input controls whether the counter counts up or down. The GPTC_GATE input is a control signal which acts as a counter enable or a counter trigger signal under different applications.

The output of timer/counter is GPTC_OUT. After power-up, GPTC_OUT is pulled high by a pulled-up resistor about 10K ohms. Then GPTC_OUT goes low after the DAQ-/DAQe-/PXI-2204/2205/2206/2208 card is initialized.

All the polarities of input/output signals can be programmed by software. In this chapter, for easy explanation, all GPTC_CLK, GPTC_GATE, and GPTC_OUT are assumed to be active high or rising-edge triggered in the figures.

General Purpose Timer/Counter modes

Eight programmable timer/counter modes are provided. All modes start operating following a software-start signal that is set by the software. The GPTC software reset initializes the status of the counter and re-loads the initial value to the counter. The operation remains halted until the software-start is re-executed. The operating theories under different modes are described in the following sections.

Mode1: Simple Gated-Event Counting

In this mode, the counter counts the number of pulses on the GPTC_CLK after the software-start. Initial count can be loaded from software. Current count value can be read-back by software any time without affecting the counting. GPTC_GATE is used to enable/disable counting. When GPTC_GATE is inactive, the counter halts the current count value. Figure 4-23 illustrates the operation with initial count = 5, countdown mode.

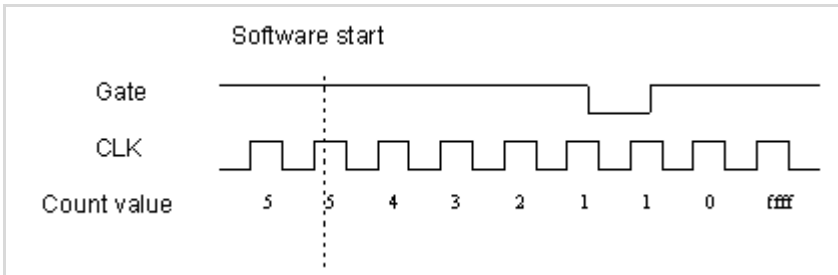


Figure 4-23: Mode1 Operation

Mode2: Single Period Measurement

In this mode, the counter counts the period of the signal on GPTC_GATE in terms of GPTC_CLK. Initial count can be loaded from software. After the software-start, the counter counts the number of active edges on GPTC_CLK between two active edges of GPTC_GATE. After the completion of the period interval on GPTC_GATE, GPTC_OUT outputs high and then current count value can be read-back by software. Figure 4-24 illustrates the operation where initial count = 0, count-up mode.

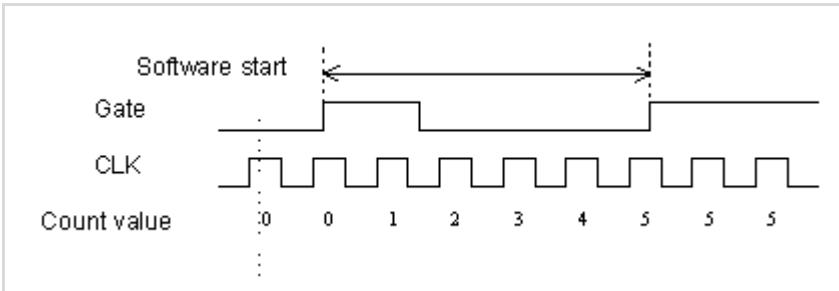


Figure 4-24: Mode2 Operation

Mode3: Single Pulse-width Measurement

In this mode, the counter counts the pulse-width of the signal on GPTC_GATE in terms of GPTC_CLK. Initial count can be loaded from software. After the software-start, the counter counts the number of active edges on GPTC_CLK when GPTC_GATE is in its active state. After the completion of the pulse-width interval on GPTC_GATE, GPTC_OUT outputs high, then current count value can be read-back by software. Figure 4-25 illustrates the operation where initial count = 0, count-up mode.

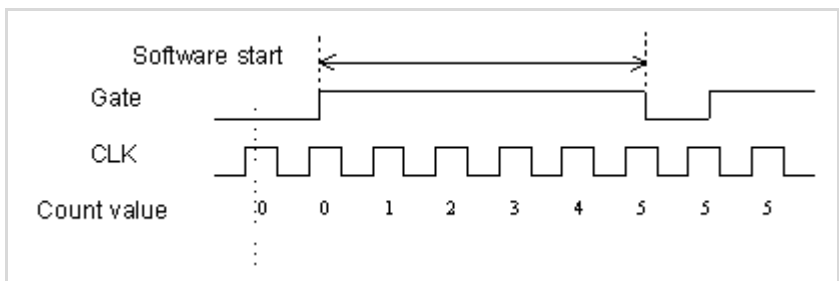


Figure 4-25: Mode3 Operation

Mode4: Single Gated Pulse Generation

This mode generates a single pulse with programmable delay and programmable pulse-width following the software-start. The two programmable parameters could be specified in terms of periods of the GPTC_CLK input by software. GPTC_GATE is used to enable/disable counting. When GPTC_GATE is inactive, the counter halts the current count value. Figure 4-26 illustrates the generation of a single pulse with a pulse delay of two and a pulse-width of four.

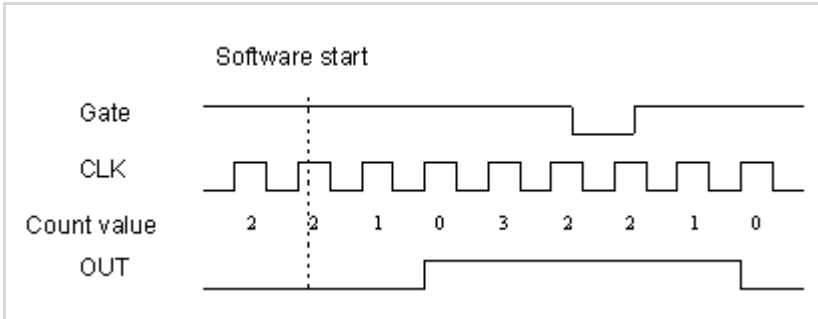


Figure 4-26: Mode4 Operation

Mode5: Single Triggered Pulse Generation

This function generates a single pulse with programmable delay and programmable pulse-width following an active GPTC_GATE edge. You could specify these programmable parameters in terms of periods of the GPTC_CLK input. Once the first GPTC_GATE edge triggers the single pulse, GPTC_GATE takes no effect until the software-start is re-executed. Figure 4-27 illustrates the generation of a single pulse with a pulse delay of two and a pulse-width of four.

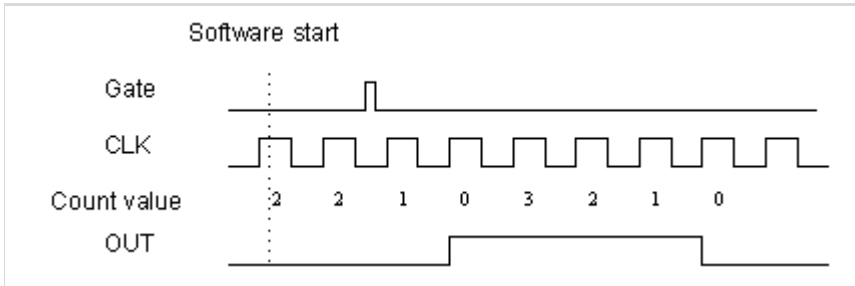


Figure 4-27: Mode5 Operation

Mode6: Re-triggered Single Pulse Generation

This mode is similar to Mode5 except that the counter generates a pulse following every active edge of GPTC_GATE. After the software-start, every active GPTC_GATE edge triggers a single pulse with programmable delay and pulse-width. Any GPTC_GATE triggers that occur when the prior pulse is not completed would be ignored. Figure 4-28 illustrates the generation of two pulses with a pulse delay of two and a pulse-width of four.

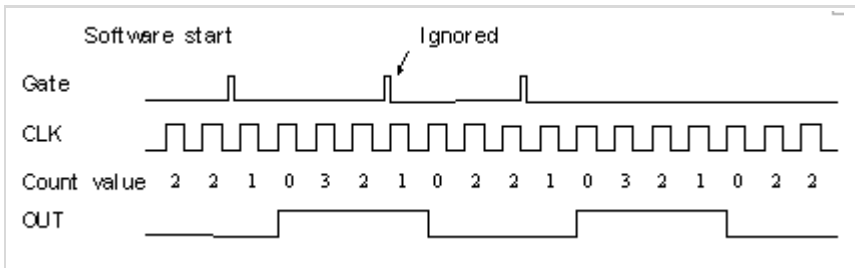


Figure 4-28: Mode6 Operation

Mode7: Single Triggered Continuous Pulse Generation

This mode is similar to Mode5 except that the counter generates continuous periodic pulses with programmable pulse interval and pulse-width following the first active edge of GPTC_GATE. Once the first GPTC_GATE edge triggers the counter, GPTC_GATE takes no effect until the software-start is re-executed. Figure 4-29 illustrates the generation of two pulses with a pulse delay of four and a pulse-width of three.

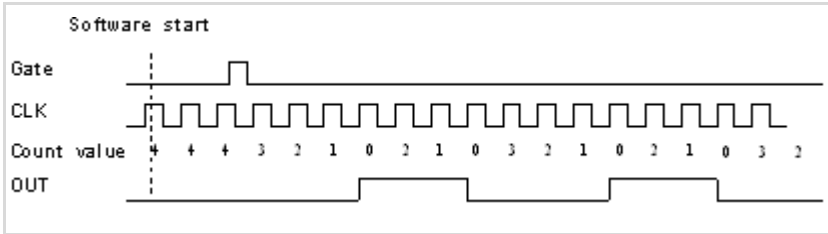


Figure 4-29: Mode7 Operation

Mode8: Continuous Gated Pulse Generation

This mode generates periodic pulses with programmable pulse interval and pulse-width following the software-start. GPTC_GATE is used to enable/disable counting. When GPTC_GATE is inactive, the counter halts the current count value. Figure 4-30 illustrates the generation of two pulses with a pulse delay of four and a pulse-width of three.

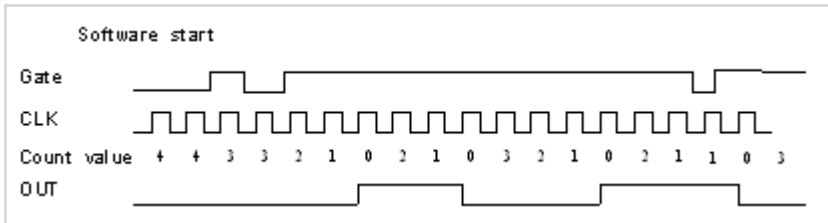


Figure 4-30: Mode8 Operation

4.5 Trigger Sources

ADLINK provides flexible trigger selections in the DAQ-/DAQe-/PXI-2204/2205/2206/2208 card. In addition to the internal software trigger, the DAQ-/DAQe-/PXI-2204/2205/2206/2208 card also supports external analog, digital triggers, and SSI triggers. You can configure the trigger source by software for A/D and D/A processes individually. Note that the A/D and the D/A conversion share the same analog trigger.

Software-Trigger

This trigger mode does not need any external trigger source. The trigger asserts right after you execute the specified function calls to begin the operation. A/D and D/A processes can receive an individual software trigger.

External Analog Trigger

The analog trigger circuitry routing is shown in the Figure 4-31. The analog multiplexer can select either a direct analog input from the EXTATRIG pin (SRC1 in Figure 4-31) in the 68-pin connector or the input signal of ADC (SRC2 in Figure 4-31). That is, one of the four channel inputs you can select as a trigger source. Both trigger sources can be used for all trigger modes. The range of trigger level for SRC1 is $\pm 10\text{V}$ and the resolution is 78mV (refer to Table 4-6), while the trigger range of SRC2 is the full-scale range of the selected channel input and the resolution is the desired range divided by 256. For example, if the channel input selected to be the trigger source is set bipolar and $\pm 5\text{V}$ range, the trigger voltage would be 4.96V when the trigger level code is set to 0xFF while -4.96V when the code is set to 0x01.

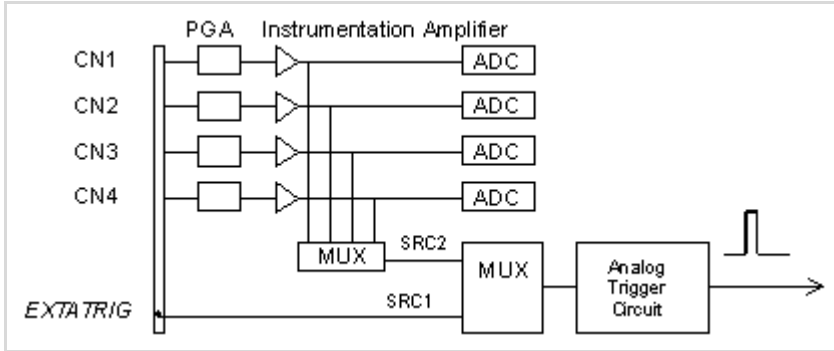


Figure 4-31: Analog Trigger Block Diagram

Trigger level digital setting	Trigger voltage
0xFF	9.92V
0xFE	9.84V
0x81	0.08V
0x80	0
0x7F	-0.08V
0x01	-9.92V

Table 4-7: Analog Trigger SRC1 (EXTATRIG) Ideal Transfer Characteristic

The trigger signal is generated when the analog trigger condition is satisfied. There are five analog trigger conditions in the DAQ-/DAQe-/PXI-2204/2205/2206/2208 card. The DAQ-/DAQe-/PXI-2204/2205/2206/2208 card uses two threshold voltages, Low_Threshold and High_Threshold to build the five different trigger conditions. You can configure the trigger conditions easily by software.

Below-Low Analog Trigger Condition

Figure 4-32 shows the below-low analog trigger condition, the trigger signal is generated when the input analog signal is less than the Low_Threshold voltage, and the High_Threshold setting is not used in this trigger condition.

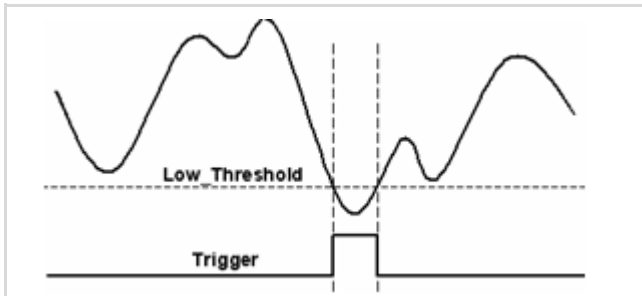


Figure 4-32: Below-Low Analog Trigger Condition

Above-High Analog Trigger Condition

Figure 4-33 shows the above-high analog trigger condition, the trigger signal is generated when the input analog signal is higher than the High_Threshold voltage, and the Low_Threshold setting is not used in this trigger condition.

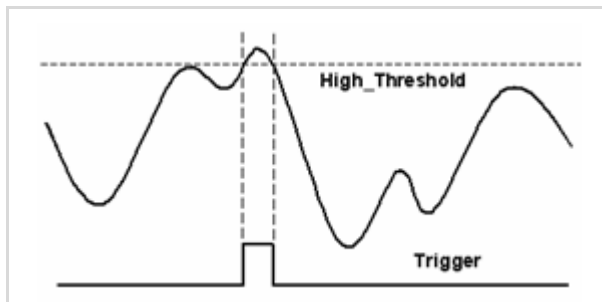


Figure 4-33: Above-High Analog Trigger Condition

Inside-Region Analog Trigger Condition

Figure 4-34 shows the inside-region analog trigger condition, the trigger signal is generated when the input analog signal level falls in the range between the High_Threshold and the Low_Threshold voltages.

NOTE The High_Threshold setting should be always higher than the Low_Threshold voltage setting.

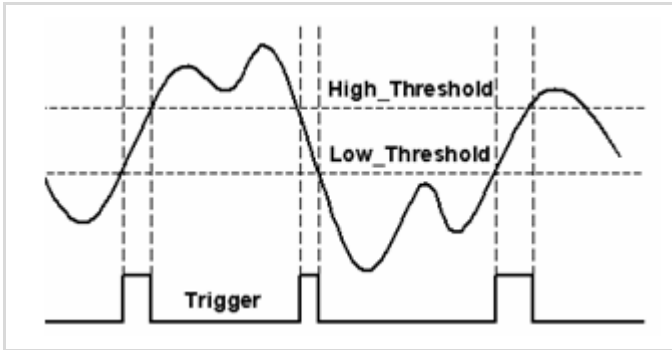


Figure 4-34: Inside-Region Analog Trigger Condition

High-Hysteresis Analog Trigger Condition

Figure 4-35 shows the high-hysteresis analog trigger condition, the trigger signal is generated when the input analog signal level is greater than the High_Threshold voltage, and the Low_Threshold voltage determines the hysteresis duration. Note the High_Threshold setting should be always higher than the Low_Threshold voltage setting.

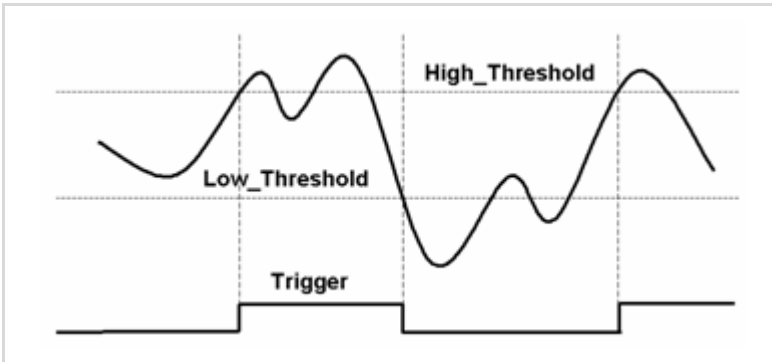


Figure 4-35: High-Hysteresis Analog Trigger Condition

Low-Hysteresis Analog Trigger Condition

Figure 4-36 shows the low-hysteresis analog trigger condition, the trigger signal is generated when the input analog signal level is less than the Low_Threshold voltage, and the High_Threshold voltage determines the hysteresis duration. Note the High_Threshold setting should be always higher than the Low_Threshold voltage setting.

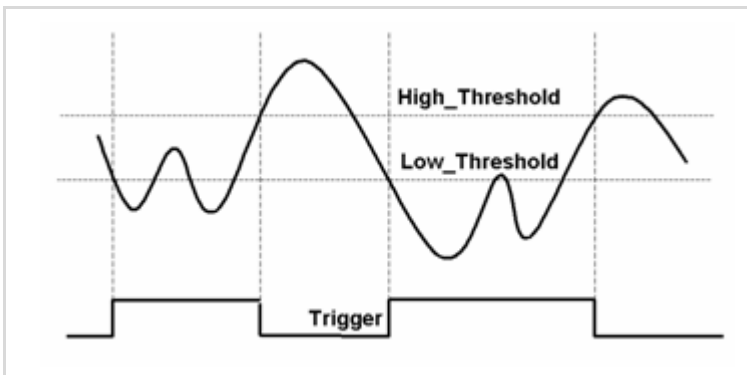


Figure 4-36: Low-Hysteresis Analog Trigger Condition

External Digital Trigger

An external digital trigger occurs when a rising edge or a falling edge is detected on the digital signal connected to the EXT-DTRIG or the EXTWFTRG of the 68-pin connector for external digital trigger. The EXTDTRIG is dedicated for A/D process, and the EXTWFTRG is used for D/A process. You can program the trigger polarity using the software drivers. Note that the signal level of the external digital trigger signals should be TTL-compatible and the minimum pulse is 20 ns.



Figure 4-37: External Digital Trigger

4.6 User-controllable Timing Signals

In order to meet the requirements for user-specific timing and requirements for synchronizing multiple cards, the DAQ-/DAQe-/PXI-2204/2205/2206/2208 card provides flexible user-controllable timing signals to connect to external circuitry or additional cards.

The whole DAQ timing of the DAQ-/DAQe-/PXI-2204/2205/2206/2208 card is composed of a bunch of counters and trigger signals in the FPGA. These timing signals are related to the A/D, D/A conversions, and Timer/Counter applications. These timing signals can be input to or output from the I/O connectors, SSI connector, and the PXI bus. Therefore, the internal timing signals can be used to control external devices or circuitry. Note that in other models of DAQ-/DAQe-/PXI-2204/2205/2206/2208 card, the user-controllable timing signals may vary. However, the SSI/PXI timing signals remain the same for every DAQ-/DAQe-/PXI-2204/2205/2206/2208 card.

We implemented signal multiplexers in the FPGA to individually choose the desired timing signals for the DAQ operations, as shown in the Figure 4-38.

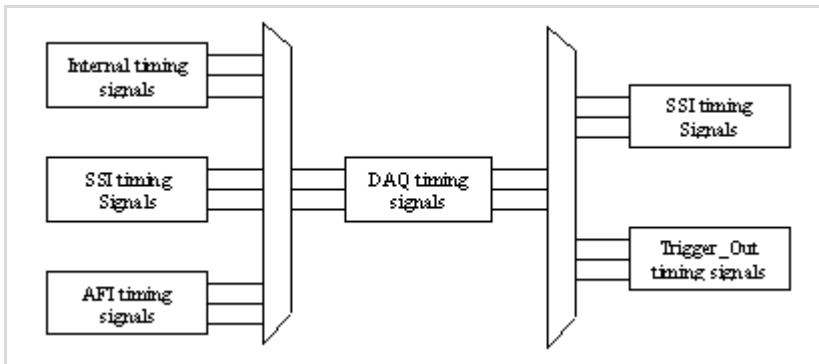


Figure 4-38: DAQ signals routing

You can utilize the flexible timing signals through our software drivers, then simply and correctly connect the signals with the DAQ-/DAQe-/PXI-2204/2205/2206/2208 card. Here is the summary of the DAQ timing signals and the corresponding functionalities for DAQ-/DAQe-/PXI-2204/2205/2206/2208 card.

Timing signal category	Corresponding functionality
SSI/PXI signals	Multiple cards synchronization
AFI signals	Control DAQ-/DAQe-/PXI-2204/2205/2206/2208 by external timing signals

Table 4-8: User-controllable Timing Signals and Functionalities

DAQ timing signals

NOTES Refer to section 4.1 for the internal timing signal definition.

The DAQ-/DAQe-/PXI-2208 card supports SCAN_START, ADCONV and DA_TRIG, DAWR.

The user-controllable DAQ timing-signals contain:

1. TIMEBASE, providing TIMEBASE for all DAQ operations, which could be from internal 40 MHz oscillator, EXTTIMEBASE from I/O connector or the SSI_TIMEBASE. Note that the frequency range of the EXTTIMEBASE is 1 MHz to 40 MHz, and the EXTTIMEBASE must be TTL-compatible.
2. AD_TRIG, the trigger signal for the A/D operation, which could come from external digital trigger, analog trigger, internal software trigger, and SSI_AD_TRIG. Refer to section 4.5 for detailed description.
3. SCAN_START, the signal to start a scan, which would bring the following ADCONV signals for AD conversion, and could come from the internal SI_counter, AFI[0] and SSI_AD_START. This signal is synchronous to the TIMEBASE. Note that the AFI[0] should be TTL-compatible and the minimum pulse width should be the pulse

width of the TIMEBASE to guarantee correct functionalities.

4. ADCONV, the conversion signal to initiate a single conversion, which could be derived from internal counter, AFI[0] or SSI_ADCONV. Note that this signal is edge-sensitive. When using AFI[0] as the external ADCONV source, each rising edge of AFI[0] would bring an effective conversion signal. Also note that the AFI[0] signal should be TTL-compatible and the minimum pulse width is 20 ns.
5. DA_TRIG, the trigger signal for the D/A operation, which could be derived from external digital trigger, analog trigger, internal software trigger, and SSI_AD_TRIG. Refer to section 4.5 for detailed description.
6. DAWR, the update signal to initiate a single D/A conversion, which could be derived from internal counter, AFI[1] or SSI_DAWR. Note that this signal is edge-sensitive. When using AFI[1] as the external DAWR source, each rising edge of AFI[1] would bring an effective update signal. Also note that the AFI[1] signal should be TTL-compatible and the minimum pulse width is 20 ns.

Auxiliary Function Inputs (AFI)

You can use the AFI in applications that take advantage of external circuitry to directly control the DAQ-/DAQe-/PXI-2204/2205/2206/2208 card. The AFI includes two categories of timing signals: one group is the dedicated input, and the other is the multi-function input. Table 4-9 illustrates this categorization.

Category	Timing signal	Functionality	Constraints
Dedicated input	EXTTIMEBASE	Replace the internal TIMEBASE	<ul style="list-style-type: none"> • TTL-compatible • 1 MHz to 40 MHz • Affects on both A/D and D/A operations.
	EXTDTRIG	External digital trigger input for A/D operation	<ul style="list-style-type: none"> • TTL-compatible • Minimum pulse width = 20ns • Rising edge or falling edge
	EXTWFTRG	External digital trigger input for D/A operation	<ul style="list-style-type: none"> • TTL-compatible • Minimum pulse width = 20ns • Rising edge or falling edge
Multi-function input	AFI[0] (Dual-functions)	Replace the internal ADCONV	<ul style="list-style-type: none"> • TTL-compatible • Minimum pulse width = 20ns • Rising-edge sensitive only
		Replace the internal SCAN_START	<ul style="list-style-type: none"> • TTL-compatible • Minimum Pulse width > 2/TIMEBASE
	AFI[1]	Replace the internal DAWR	<ul style="list-style-type: none"> • TTL-compatible • Minimum pulse width = 20ns • Rising-edge sensitive only

Table 4-9: Auxiliary Function Input Signals and Functionalities

EXTDTRIG and EXTWFTRIG

EXTDTRIG and EXTWFTRIG are dedicated digital trigger input signals for A/D and D/A operations respectively. Refer to section 4.5 for details.

EXTTIMEBASE

When the applications needs specific sampling frequency or update rate that the card could not generate from its internal TIMEBASE — the 40 MHz clock — you could utilize the EXT-TIMEBASE with internal counters to achieve the specific timing

intervals for both A/D and D/A operations. Note that once you choose the TIMEBASE source, both A/D and D/A operations will be affected because A/D and D/A operations share the same TIMEBASE.

AFI[0]

Alternatively, you can also directly apply an external A/D conversion signal to replace the internal ADCONV signal. This is another way to achieve customized sampling frequencies. The external ADCONV signal can only be inputted from the AFI[0]. As section 4.1 describes, the SI_counter triggers the generation of the A/D conversion signal, ADCONV, but when using the AFI[0] to replace the internal ADCONV signal, the SI_counter and the internally generated SCAN_START is not effective. By controlling the ADCONV externally, you can sample the data according to external events. In this mode, the Trigger signal and trigger mode settings are not available.

AFI[0] could also be used as SCAN_START signal for A/D operations. Refer to section 4.1 and section 4.6 for detailed descriptions of the SCAN_START signal. When using external signal (AFI[0]) to replace the internal SCAN_START signal, the pulse width of the AFI[0] must be greater than two time of the period of Timebase. This feature is suitable for the DAQ-2200/DAQe-2200/PXI-2200 Series, which can scan multiple channels data controlled by an external event. Note that the AFI[0] is a multi-purpose input, and it can only be utilized for one function at any one time.

AFI[1]

Regarding the D/A operations, users could directly input the external D/A update signal to replace the internal DAWR signal. This is another way to achieve customized D/A update rates. The external DAWR signal can only be inputted from the AFI[1]. Note that the AFI[1] is a multi-purpose input, and it can only be utilized for one function at any one time. AFI[1] currently only has one function. ADLINK reserves it for future development.

System Synchronization Interface

SSI (System Synchronization Interface) provides the DAQ timing synchronization between multiple cards. In DAQ-/DAQe-/PXI-2204/2205/2206/2208 card, we designed a bi-directional SSI I/O to provide flexible connection between cards and allow one SSI master to output the signal and up to three slaves to receive the SSI signal. Note that the SSI signals are designed for card synchronization only and not for external devices.

SSI Timing Signal	Setting	Function
SSI_TIMEBASE	Master	Send the TIMEBASE out
	Slave	Accept the SSI_TIMEBASE to replace the internal TIMEBASE signal.
SSI_ADCONV	Master	Send the ADCONV out
	Slave	Accept the SSI_ADCONV to replace the internal ADCONV signal.
SSI_SCAN_START	Master	Send the SCAN_START out
	Slave	Accept the SSI_SCAN_START to replace the internal SCAN_START signal.
SSI_AD_TRIG	Master	Send the internal AD_TRIG out
	Slave	Accept the SSI_AD_TRIG as the digital trigger signal.
SSI_DAWR	Master	Send the DAWR out.
	Slave	Accept the SSI_DAWR to replace the internal DAWR signal.
SSI_DA_TRIG	Master	Send the DA_TRIG out.
	Slave	Accept the SSI_DA_TRIG as the digital trigger signal.

Table 4-10: SSI Timing Signal and Functions

In PCI form factor, there is a connector on the top right corner of the card for the SSI. Refer to section 2.3 for the connector position. All the SSI signals are routed to the 20-pin connector from the FPGA. To synchronize multiple cards, users can connect a special ribbon cable (ACL-SSI) to all the cards in a daisy-chain configuration.

In PXI form factor, we utilize the PXI trigger bus built on the PXI backplane to provide the necessary timing signal connections. All the SSI signals are routed to the P2 connector. No additional cable is needed. For detailed information of the PXI specifications, refer to the PXI Specification Revision 2.0 from PXI System Alliance (www.pxisa.org).

The six internal timing signals could be routed to the SSI or the PXI trigger bus through software drivers. Refer to section 4.6 for detailed information on the six internal timing signals. Physically, the signal routings are accomplished in the FPGA. Cards that are connected together through the SSI or the PXI trigger bus, will still achieve synchronization on the six timing signals.

The SSI/PXI Mechanism

We adopt master-slave configuration for SSI/PXI. In a system, for each timing signal, there shall be only one master, and other cards are SSI slaves or with SSI function disabled.

For each timing signal, the SSI master does not have to be in a single card. For example:

We want to synchronize the A/D operation through the ADCONV signal for four DAQ-/DAQe-/PXI-2204/2205/2206/2208 cards. Card 1 is the master, and Card 2, 3, 4 are slaves. Card 1 receives an external digital trigger to start the post trigger mode acquisition. The SSI setting could be:

- ▶ Set the SSI_ADCONV signal of Card 1 to be the master.
- ▶ Set the SSI_ADCONV signals of Card 2, 3, 4 to be the slaves.
- ▶ Set external digital trigger for Card 1's A/D operation.
- ▶ Set the SI_counter and the post scan counter (PSC) of all other cards.
- ▶ Start DMA operations for all cards, so all the cards are waiting for the trigger event.

When the digital trigger condition of Card 1 occurs, Card 1 will internally generate the ADCONV signal and output this ADCONV signal to SSI_ADCONV signal of Card 2, 3 and 4 through the SSI/PXI connectors. Thus we can achieve 16-channel acquisition simultaneously.

You could arbitrarily choose each of the six timing signals as the SSI master from any one of the cards. The SSI master can output the internal timing signals to the SSI slaves. With the SSI, users could achieve better card-to-card synchronization.

Note that when power-up or reset, the DAQ timing signals are reset to use the internal generated timing signals.

5 Calibration

This chapter introduces the calibration process to minimize AD measurement errors and DA output errors.

5.1 Loading Calibration Constants

The DAQ-/DAQe-/PXI-2204/2205/2206/2208 card is factory-calibrated before shipment. The associated calibration constants of the TrimDACs firmware to the onboard EEPROM. TrimDACs are devices containing multiple DACs within a single package. TrimDACs do not have memory capability. That means the calibration constants do not retain their values after the system power is turned off. Loading calibration constants is the process of loading the values of TrimDACs firmware stored in the onboard EEPROM. ADLINK provides a software utility that automatically reads the calibration constants automatically, if necessary.

There is a dedicated space for storing calibration constants in the EEPROM. In addition to the default bank of factory calibration constants, there is one user-utilization bank. This bank allows you to load the TrimDACs firmware values either from the original factory calibration or from a subsequently-performed calibration.

Because of the fact that measurements and outputs errors may vary depending on time and temperature, it is recommended that you calibrate the card when it is integrated in your computing environment. The auto-calibration function is presented in the following sections.

5.2 Auto-calibration

Through the DAQ-/DAQe-/PXI-2204/2205/2206/2208 card auto-calibration feature, the calibration software measures and corrects almost all calibration errors without any external signal connections, reference voltage, or measurement devices.

The DAQ-/DAQe-/PXI-2204/2205/2206/2208 card comes with an onboard calibration reference to ensure the accuracy of auto-calibration. The reference voltage is measured in the production line through a digital potentiometer and compensated in the software. The calibration constant is memorized after this measurement. We do not recommend adjustment of the onboard calibration reference except when an ultra-precision calibrator is available.

NOTES

- Warm the card up for at least 15 minutes before initiating auto-calibration.
 - Remove the cable before auto-calibrating the card since the DA outputs are changed during the process.
-

5.3 Saving Calibration Constants

When auto-calibration is completed, you can save the new calibration constants to the user-configurable banks in the EEPROM. The date and the temperature when you ran auto-calibration is saved with the calibration constants. You can store three sets of calibration constants according to three different environments and re-load the calibration constants later.

Warranty Policy

Thank you for choosing ADLINK. To understand your rights and enjoy all the after-sales services we offer, please read the following carefully.

1. Before using ADLINK's products please read the user manual and follow the instructions exactly. When sending in damaged products for repair, please attach an RMA application form which can be downloaded from: <http://rma.adlinktech.com/policy/>.
2. All ADLINK products come with a limited two-year warranty, one year for products bought in China:
 - ▶ The warranty period starts on the day the product is shipped from ADLINK's factory.
 - ▶ Peripherals and third-party products not manufactured by ADLINK will be covered by the original manufacturers' warranty.
 - ▶ For products containing storage devices (hard drives, flash cards, etc.), please back up your data before sending them for repair. ADLINK is not responsible for any loss of data.
 - ▶ Please ensure the use of properly licensed software with our systems. ADLINK does not condone the use of pirated software and will not service systems using such software. ADLINK will not be held legally responsible for products shipped with unlicensed software installed by the user.
 - ▶ For general repairs, please do not include peripheral accessories. If peripherals need to be included, be certain to specify which items you sent on the RMA Request & Confirmation Form. ADLINK is not responsible for items not listed on the RMA Request & Confirmation Form.

3. Our repair service is not covered by ADLINK's guarantee in the following situations:
 - ▶ Damage caused by not following instructions in the User's Manual.
 - ▶ Damage caused by carelessness on the user's part during product transportation.
 - ▶ Damage caused by fire, earthquakes, floods, lightning, pollution, other acts of God, and/or incorrect usage of voltage transformers.
 - ▶ Damage caused by unsuitable storage environments (i.e. high temperatures, high humidity, or volatile chemicals).
 - ▶ Damage caused by leakage of battery fluid during or after change of batteries by customer/user.
 - ▶ Damage from improper repair by unauthorized ADLINK technicians.
 - ▶ Products with altered and/or damaged serial numbers are not entitled to our service.
 - ▶ This warranty is not transferable or extendible.
 - ▶ Other categories not protected under our warranty.
4. Customers are responsible for shipping costs to transport damaged products to our company or sales office.
5. To ensure the speed and quality of product repair, please download an RMA application form from our company website: <http://rma.adlinktech.com/policy>. Damaged products with attached RMA forms receive priority.

If you have any further questions, please email our FAE staff: service@adlinktech.com.